

Urban

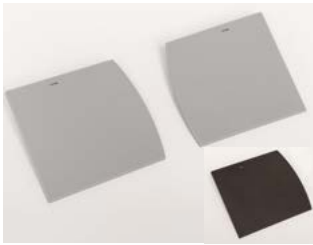
Wall-mount System

Up to 250 lb. Load Class

Door thickness: 1" to 1-3/8"



Wall-Mount Track in aluminum milled or dark bronze finish



End Caps in gray or dark bronze finish

Aluminum Wall-mount System for Sliding Doors

Designed for interior residential or commercial spaces, Urban is ideal for bathrooms, laundry rooms, closets, storage rooms, office or room dividers, etc., where space is limited. It's the perfect solution for those places where a pocket door is cost prohibitive or structurally not feasible.

Features:

- Aluminum clear and dark bronze finishes
- Track with integrated fascia
- Track supports up to 250 lbs.
- Quiet 4-wheel ball bearing carriers
- Space saving solution for interior doorways and room dividers
- Ease of installation

Applications:

Residential: Room divider, Pantry, Closet

Commercial: Office, Healthcare, Institutional, Hospitality

Specifications

| | |
|-----------------|---|
| Door thickness: | 1" to 1-3/8" |
| Load rating: | Up to 250 lbs. |
| Track material: | Single aluminum box track |
| Carrier: | 4-wheel ball bearing |
| Compares to: | Pemko 280SWT Johnson 2610F, 2610FB |
| Conforms to: | ANSI BHMA A156.14-2007 Grade 1, D8011, D8681, D8691 Grade 2, D8012, D8692 Bi-parting Grade 1, D8711 Grade 2, D8721 |

Finishes

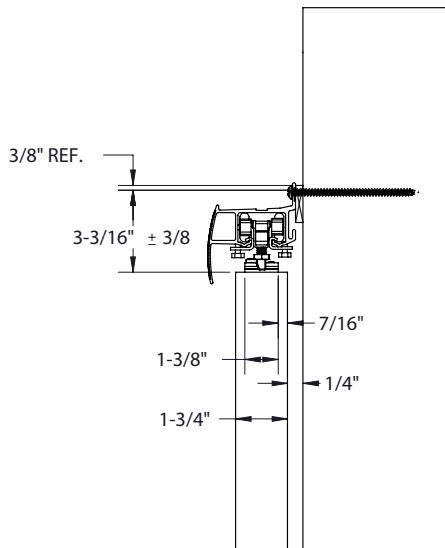


Aluminum milled finish



Anodized dark bronze aluminum finish

Side Wall-mount



Packaged Sets

| SKU | Description | Door Panel Configuration | Pack Qty | Weight (lbs) |
|--------------|---|--------------------------|----------|--------------|
| VMD-150-A-72 | Track with integrated fascia (mill finish) and End Caps (gray) | 1 x 36" Door | 1 | 14 |
| VMD150-A-96 | Track with integrated fascia (mill finish) and gray End Caps (gray) | 1 x 48" Door | 1 | 18 |
| VMD-150-B-72 | Track with integrated fascia (anodized) and End Caps (dark bronze) | 1 x 36" Door | 1 | 14 |
| VMD-150-B-96 | Track with integrated fascia (anodized) and End Caps (dark bronze) | 1 x 48" Door | 1 | 18 |



KNAPE & VOGT

2700 Oak Industrial Dr. NE
Grand Rapids, MI 49505-6026 USA
1.800.253.1561 | 616.459.3311
Fax: 877.636.3290
www.kv.com

This and other KV literature is available for download at www.kv.com > Resource Library

*Knappe & Vogt reserves the right to change product specifications at any time without notice and without incurring responsibility for existing units.
©2018 Knappe & Vogt. KV and the KV logo are trademarks of Knappe & Vogt.*