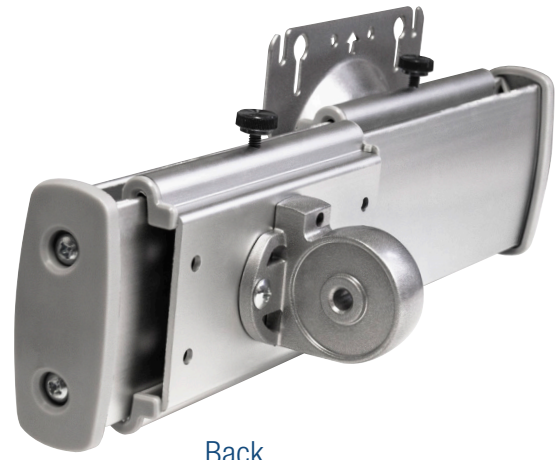




Front



Back

7803BS Concerto Monitor Slider



7803BS shown on Concerto Dual 7824SHD12



Concerto Monitor Slider

The Concerto Monitor Slider provides the extra necessary range of motion to perfectly position multiple screens, whether by sliding them inwards to close any gaps, or sliding them outwards to fit on the monitor support. It is fully compatible to any Concerto arm with minimal installation time.

7800/7900 series

Features & Benefits

Provides extra horizontal adjustment:

- 6.5" inward to close any possible gap between screens

- 6.5" outward to allow the multi-screen support unit to accommodate larger screens

Allows monitors to be adjusted laterally while being positioned all the way back on the work surface

Minimal installation time

90° rotation for portrait to landscape screen positioning

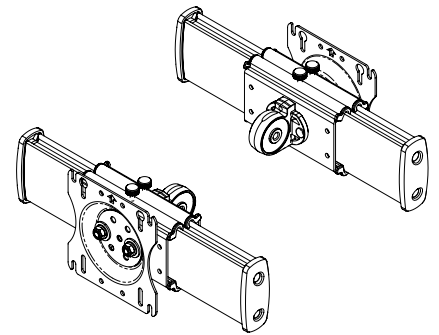
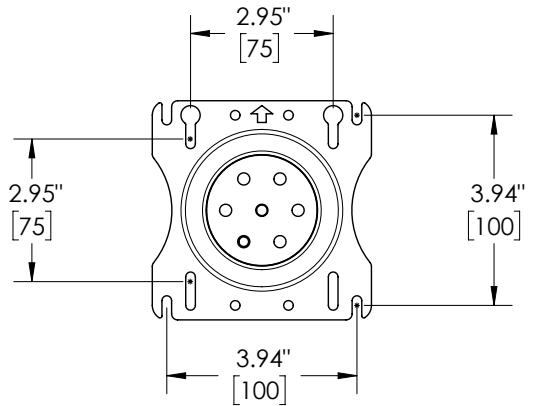
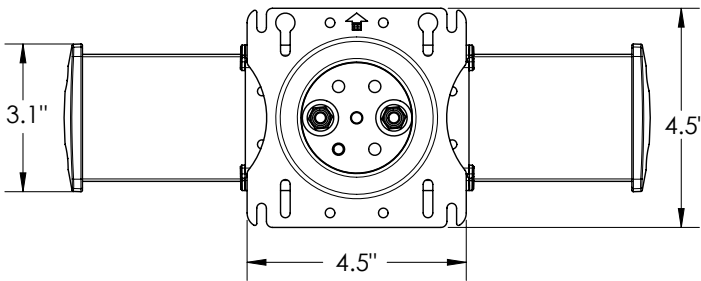
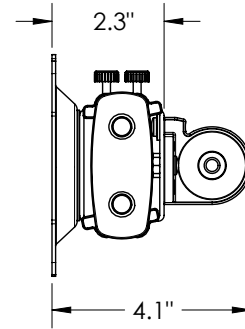
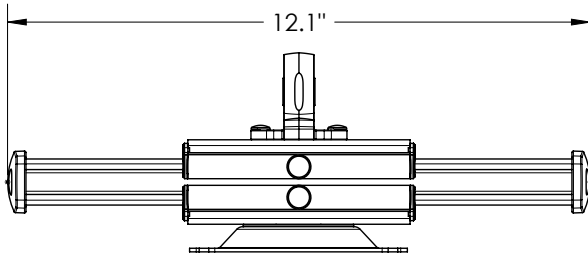
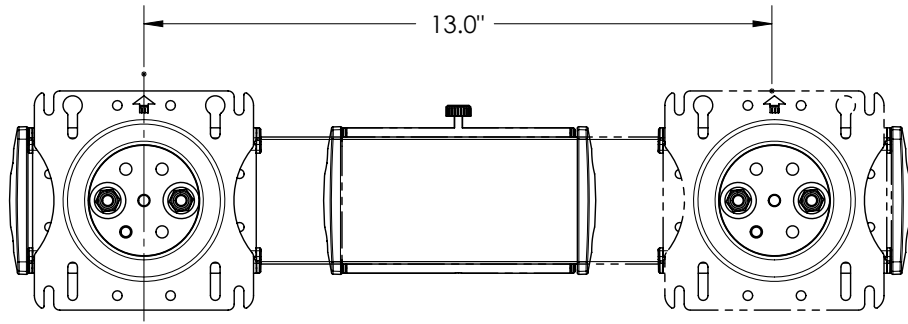
Full backwards compatibility with all Concerto monitor supports (ideal for dual-hub configurations)

Maintains the screen tilt functionality provided by the monitor support

Adjustable knobs to regulate the sliding friction (or to lock the screens in place)

VESA hole patterns to fit most computer screens

Available in Concerto colors (Stardust Silver, Gloss Black and Gloss White)



Concerto Monitor Slider

7800 / 7900 Monitor Arms

Ancillary Products:

- Compatible with all Knap & Vogt Waterloo keyboard arms
- Use with Knap & Vogt Waterloo CPU holders

Model	Description	Horizontal Range	VESA Rotation	Weight
7803BS	Concerto Monitor Slider, Silver	13" (+6.5"/-6.5")	90°	2 lbs.

Color Options

To specify color, other than silver, replace the "S" in the part number with:

B = Black **W** = White

For example, to get a "7803BS" in white, order 7803BW.



Note: Specifications are subject to change without notice.



2700 Oak Industrial Dr. NE
Grand Rapids, MI 49505-6026 USA
1.800.253.1561 | 616.459.3311
Fax: 877.636.3290
www.kv.com

This and other KV literature is available for download at www.kv.com > Resource Library

Knap & Vogt reserves the right to change product specifications at any time without notice and without incurring responsibility for existing units.
©2018 Knap & Vogt. KV and the KV logo are trademarks of Knap & Vogt.

OL3143/0918