

7940S

## *Concerto*

The 7940S Concerto fills the need for quadruple display support in a parabolic array, giving the user the ability to find the ultimate ergonomic position at an affordable price.

### *7900 series*

#### Features & Benefits

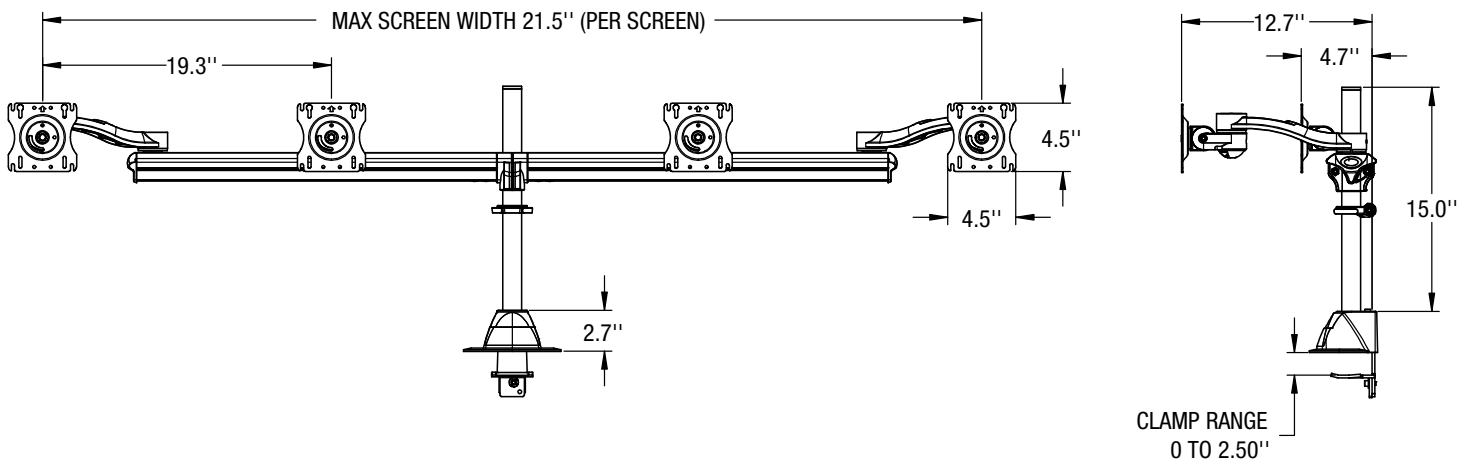
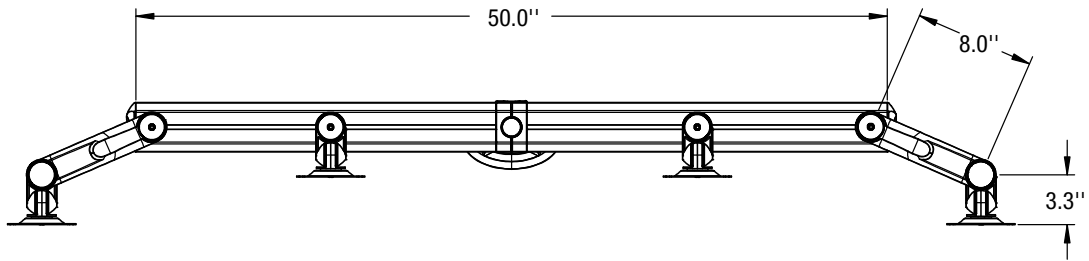
The Concerto supports a 20 lbs load capacity (per screen)

Grommet adjustable to fit most desks and work surfaces

Monitor mounting bracket, with Quick Connect, contains 75mm and 100mm hole patterns to comply with VESA standards

Pole allows manual height adjustment through 15" range

Allows for a maximum 21.5" screen width

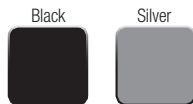


### Concerto Beam Mount 7800 series

Model	Description
7940S	Parabolic Quad-Screen Beam-Mount (four screens, c/w two extension arms)

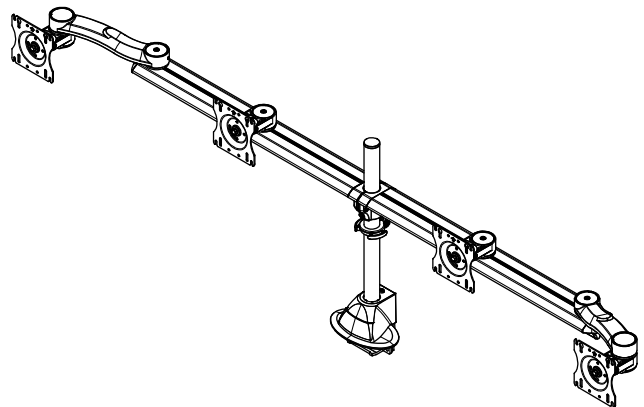
### Color Options

To specify color, other than silver, replace the "S" in the part number with: **B** = Black



For example, to get a "7940S" in black, order 7940B.

Note: Specifications are subject to change without notice.



2700 Oak Industrial Dr. NE  
 Grand Rapids, MI 49505-6026 USA  
 1.800.253.1561 | 616.459.3311  
 Fax: 877.636.3290  
[www.kv.com](http://www.kv.com)

This and other KV literature is available for download at [www.kv.com](http://www.kv.com) > Resource Library

Knap & Vogt reserves the right to change product specifications at any time without notice and without incurring responsibility for existing units.  
 ©2018 Knap & Vogt. KV and the KV logo are trademarks of Knap & Vogt.