



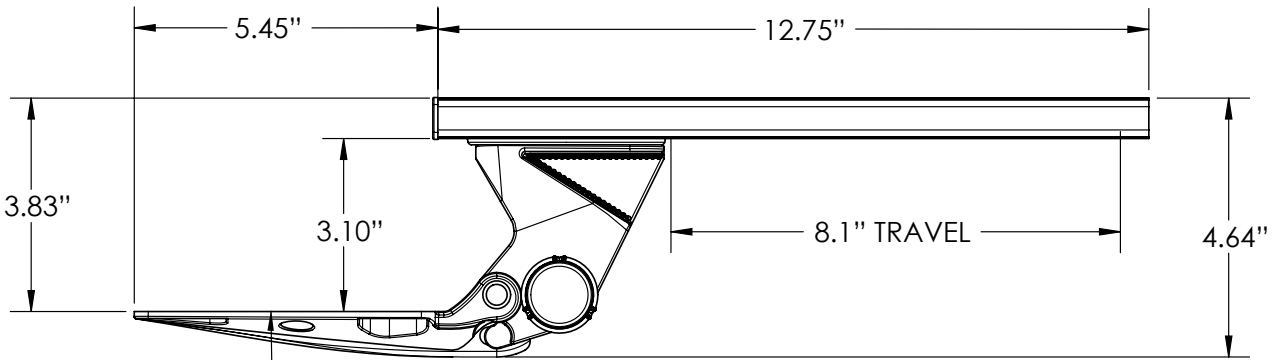
5704D12

## *Aria™ Fixed Height Keyboard Arm*

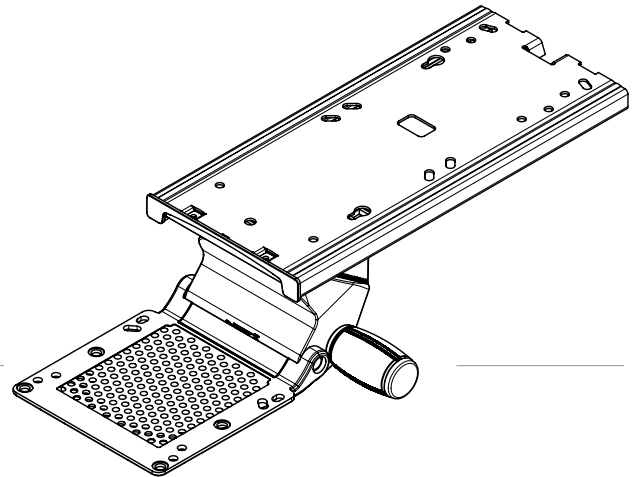
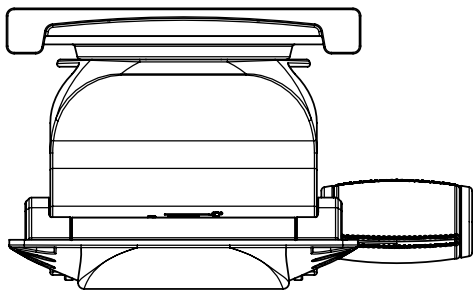
The Aria™ fixed height keyboard support arm is ideally suited for height adjustable tables that do not go low enough to meet the BIFMA and HFES seated height range for the 5th percentile female. The Aria™ allows the user to position the keyboard low enough when using two stage or three stage tables that do not provide sufficient low height travel to meet current ergonomic requirements.

The Aria™ also provides 20° keyboard tilt which is not available on height adjustable tables, and has 8" storage capability allowing the user to store the keyboard when not in use. As workspaces are becoming smaller, moving the keyboard off the desk surface to a storable keyboard support surface frees up valuable work space as well as providing key ergonomic adjustment.

Features	Benefits
Dial Tilt tray head with soft touch knob	Effortless adjusts through a 20° range from +10° to -10°
Tilt gauge on arm assembly	Shows tray angle as tilt knob is adjusted
Fixed tray head mounting dimension of 3.83" below track mounting surface	Provides ample room for keyboard tray and mouse
Maximum dimension of 4.64" from mounting surface to underside of tray head	Meets HFES 5th percentile female knee clearance requirements
12 ¾" Glide storage track	Provides 8.1" of arm storage
Manufactured from high strength, lightweight engineered resins	Durable construction exceeding ANSI/BIFMA testing standards
Low profile design with elegant aesthetics	Minimal exposed hardware with smooth tactile contact surfaces
360° arm rotation	Adjusts for off-set keyboarding requirements
Manufactured in the USA	TAA Compliant
15 Year limited warranty	Designed for years of trouble free service



TILT RANGE: +10° TO -10°



*Aria™ Fixed Height Keyboard Arm* 5704 series

Model	Height Range (Below mounting Surface to tray head)	Tilt	Travel	Track Size	Track Style	Weight	Color
5704D12	3.83"	-10° / +10°	8.10"	12.75"	Glide	3.89 lbs	Black



Finish: Black  
Code Compliance: Exceeds ANSI/BIFMA standards

Notes: 1. Weight = packaged shipping weight per unit. 2. Specifications are subject to change without notice.



2700 Oak Industrial Dr. NE  
Grand Rapids, MI 49505-6026 USA  
1.800.253.1561 | 616.459.3311  
Fax: 877.636.3290  
www.kv.com

This and other KV literature is available for download at [www.kv.com](http://www.kv.com) > Resource Library

Knap & Vogt reserves the right to change product specifications at any time without notice and without incurring responsibility for existing units.  
©2016 Knap & Vogt. KV and the KV logo are trademarks of Knap & Vogt.