

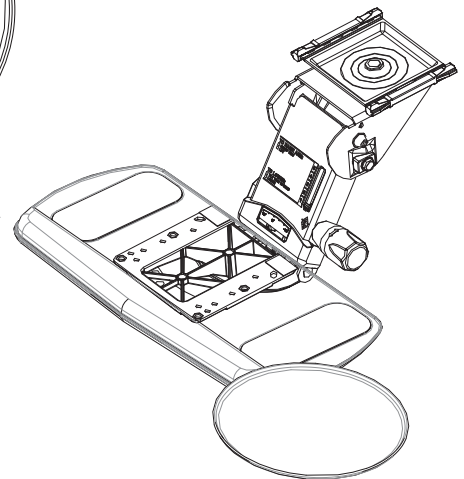
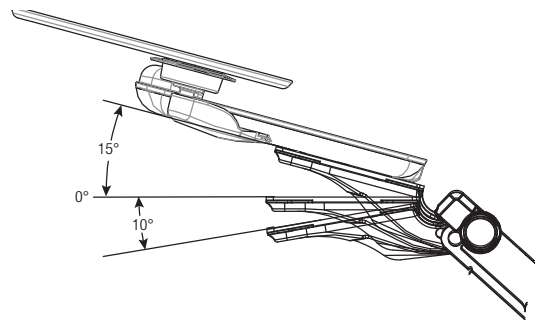
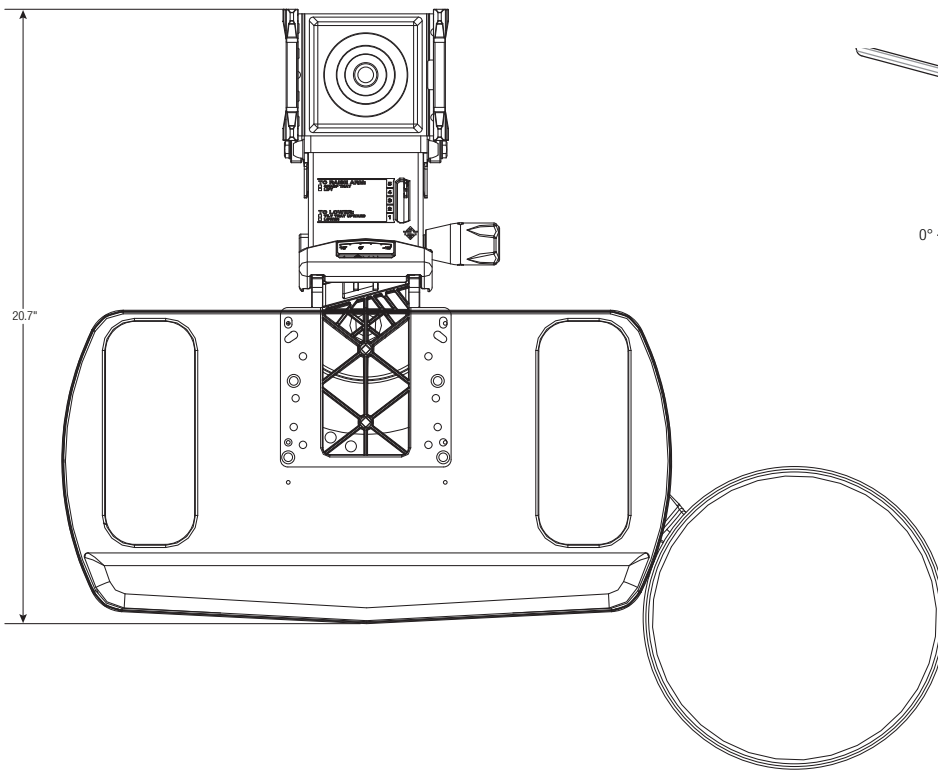
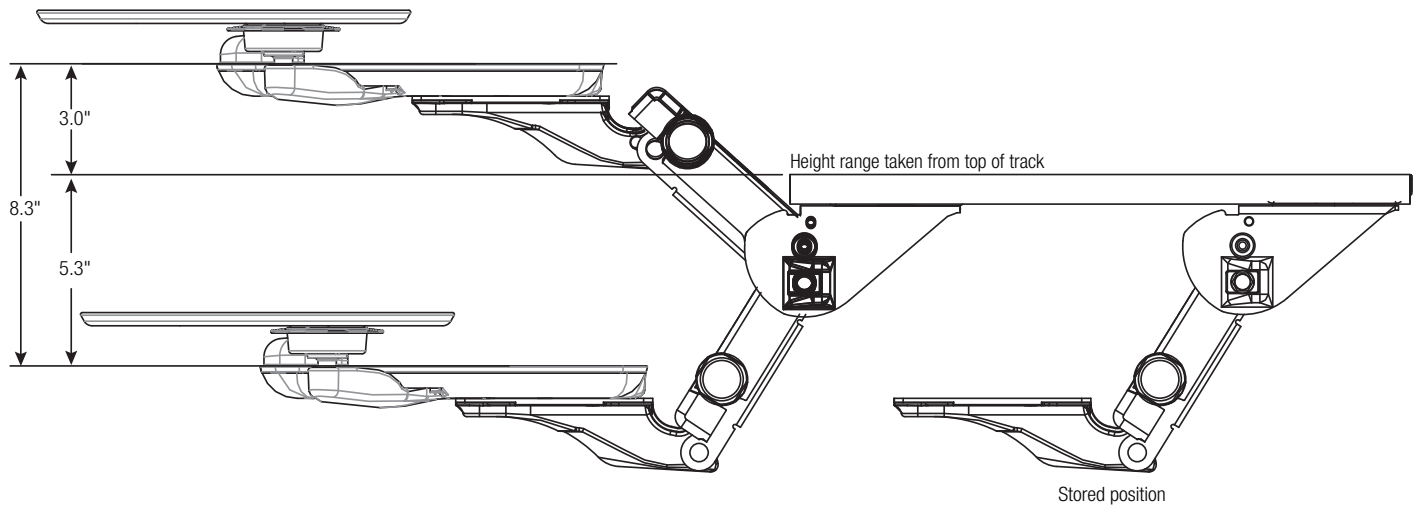


84342118
(8434D21 & PF1824-MPS)

84342118

*8434D21 Ovation Arm
with PF1824-MPS Keyboard
Tray with Tilt & Swivel
Mousing Surface*

Features	Benefits
Ovation arm with Lift-n-Lock™ height adjustment & Dial Tilt feature for keyboard tray tilt adjustment	Knob-less/lever-less height adjustment with smooth Dial Tilt adjustment for tray tilt
Height and tilt gauges for precise tray placement	Allows ergonomic repeatable user placement
21.8" long glide storage track	Smooth total storage under desk surface
21.5" W x 10.5" D rugged ABS tray assembly with removable padded palm rest and anti-slip pads	Ample room for keyboard with removable palm rest for ergonomic comfort
10" Diameter removable omni-directional mousing surface	Allows for tilt, swivel and ambidextrous mousing
Comes with all mounting hardware for track and keyboard tray mounting	Easy assembly of product and simple attachment to desk, with basic tools
Rugged construction	Manufactured in the USA. Tested to ANSI/BIFMA Standards.



84342118

8434D21 Ovation Arm with PF1824-MPS Keyboard Tray with Tilt & Swivel Mousing Surface

Ancillary Products:

- Use with Knape & Vogt CPU Holders
- For Flat Panel Displays use the Knape & Vogt Concerto or Xtend series of monitor supports

Model	Keyboard Tray Width	Keyboard Tray Depth	Height Above Track	Height Below Track	Track Length	Weight
84342118	21.5"	10.5"	3.0"	5.3"	21.8"	14.0 lbs.

Black



Code Compliance: Exceeds ANSI/BIFMA standards

Notes: 1. Weight = packaged shipping weight per unit. 2. Specifications are subject to change without notice.



2700 Oak Industrial Dr. NE
 Grand Rapids, MI 49505-6026 USA
 1.800.253.1561 | 616.459.3311
 Fax: 877.636.3290
 www.kv.com

This and other KV literature is available for download at www.kv.com > Resource Library

Knape & Vogt reserves the right to change product specifications at any time without notice and without incurring responsibility for existing units.
 ©2017 Knape & Vogt. KV and the KV logo are trademarks of Knape & Vogt.