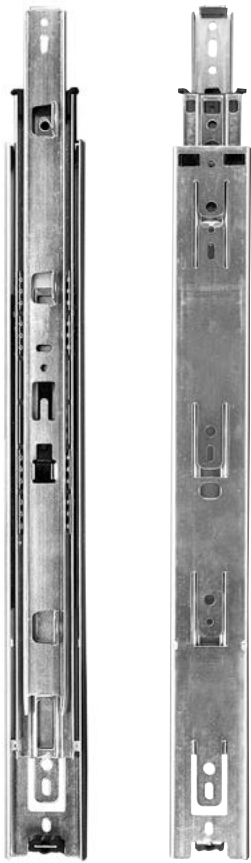


## Medium-Duty

100 lb. Load Class

1/2" Side Clearance

Max. Drawer Width: 24"



## 8407 Full Extension Box or File Drawer Slide with Shelf Tabs

The 8407 Full Extension Drawer Slide is designed to be used in wood cabinetry, furniture and casework. The built in shelf tabs makes this slide ideal for pull-out keyboard trays or shelves. Traditional and 32mm hole patterns, and a push-in drawer release lever make for quick installation and easy tray, shelf or drawer removal.

### Applications

- Wood residential and commercial furniture
- Pull-Out work surfaces
- Work stations/Shelf Fixtures

### Specifications

**Model:** 8407 Full Extension Drawer Slide with Shelf Tabs

**Mounting:** Side

**Disconnect:** Lever Release

**Hole Pattern:** 32mm and Traditional

**Face Frame Mounting:** Yes

**Type:** Ball-Bearing

**Travel:** Full Extension

**Finish:** Anochrome

**Length:** 10", 12", 14", 16", 18", 20", 22", 24", 26", 28"

**Clearance:** .50" + .03"-0" on each side

**Height:** 1.79" [45.5mm]

**Packaging:** Bulk Pack (8407B): all sizes - 10 pair per carton

Poly Pack (8407P): all sizes - 10 pair per carton

**Action:** Telescopic

**Slide Configuration:** Handed

### Rating

**Load:** 100 lb.

**Max. Drawer Width:** 24"

As with all Knap & Vogt drawer slides, the 8407 is designed to meet or exceed ANSI performance standards as established by BIFMA, BHMA and KCMA.

### Accessories

8401: Rear Mounting Bracket

8402: Rear Mounting Bracket

8404: Front Face Frame Bracket

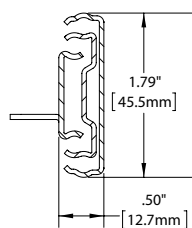
### Hardware

#7 x 1/2" Phillips Pan Head

### Warranty

Limited Lifetime Warranty

### Profile



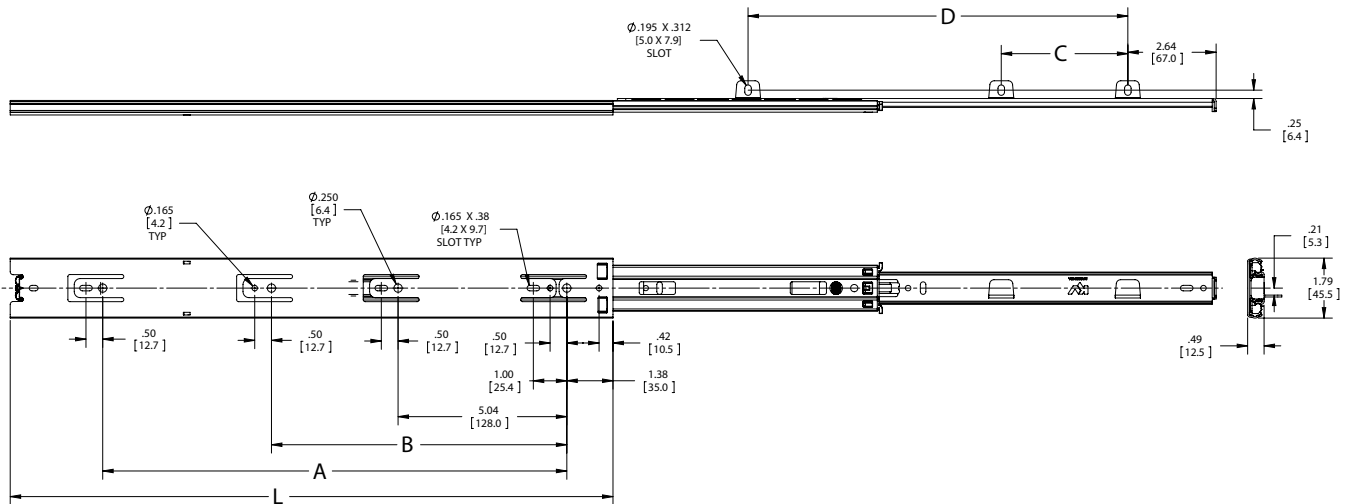
### Clearance

1/2" + 1/32"-0"

.50" + .03"- 0"

12.7mm + .8mm - 0mm

# Charted Information



SKU Number*	Slide Size inch/mm	Length inch/mm	Travel inch/mm	A inch/mm	B inch/mm	C inch/mm	D inch/mm
8407B 10	10" [250mm]	10" [254mm]	10" [254mm]	-	-	-	6.05" [153.7mm]
8407B 12	12" [300mm]	12.00" [305mm]	12.00" [305mm]	-	8.82" [224mm]	-	7.56" [297.6mm]
8407B 14	14" [350mm]	14.00" [356mm]	14.00" [356mm]	-	8.82" [224mm]	-	8.82" [224mm]
8407B 16	16" [400mm]	16.00" [406mm]	16.00" [406mm]	12.60" [320mm]	8.82" [224mm]	3.78" [96mm]	11.34" [288mm]
8407B 18	18" [450mm]	18.00" [457mm]	18.00" [457mm]	13.86" [352mm]	8.82" [224mm]	3.78" [96mm]	11.34" [288mm]
8407B 20	20" [500mm]	20.00" [508mm]	20.00" [508mm]	16.38" [416mm]	8.82" [224mm]	6.30" [160mm]	15.12" [384mm]
8407B 22	22" [550mm]	22.00" [559mm]	22.00" [559mm]	18.90" [480mm]	8.82" [224mm]	7.56" [297.6mm]	15.12" [384mm]
8407B 24	24" [600mm]	24.00" [610mm]	24.00" [610mm]	18.90" [480mm]	8.82" [224mm]	7.56" [297.6mm]	15.12" [384mm]
8407B 26	26" [650mm]	26" [650mm]	26" [650mm]	22.68" [576.1mm]	8.82" [224mm]	9.56" [242.8mm]	19.12" [485.6mm]
8407B 28	28" [700mm]	28" [700mm]	28" [700mm]	23.94" [608.1mm]	8.82" [224mm]	9.56" [242.8mm]	19.12" [485.6mm]

\*Also available in Poly Pack (eg, 8407P 10, etc.)



**KNAP & VOGT.**

2700 Oak Industrial Dr. NE  
Grand Rapids, MI 49505-6026 USA  
1.800.253.1561 | 616.459.3311  
Fax: 877.636.3290  
www.kv.com

This and other KV literature is available for download at [www.kv.com](http://www.kv.com) > Resource Library

Knap & Vogt reserves the right to change product specifications at any time without notice and without incurring responsibility for existing units.  
©2019 Knap & Vogt. KV and the KV logo are trademarks of Knap & Vogt.

OL2808/1119