



KNAPE  
& VOGT®



C200

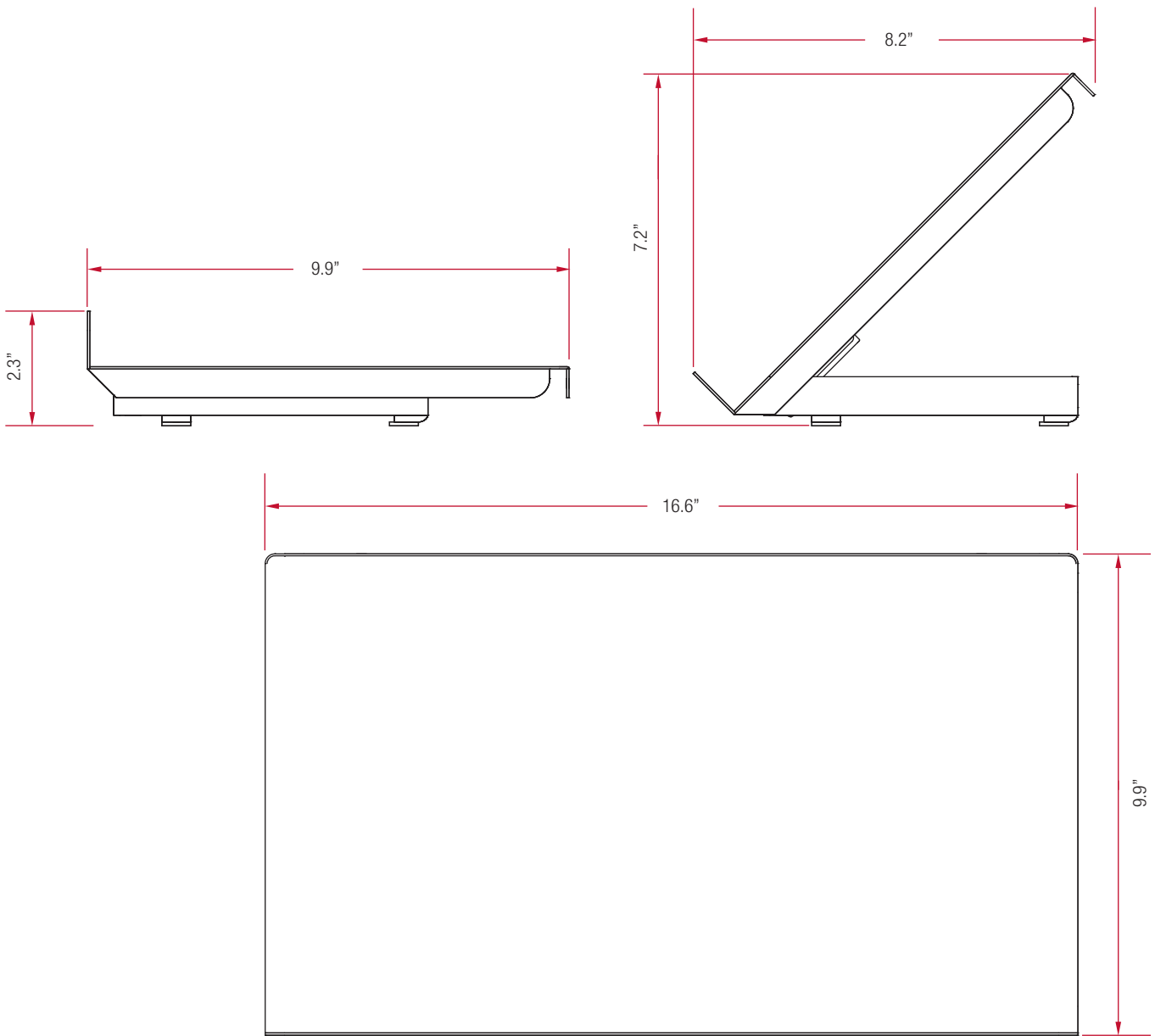
## C200

### Document Holder

The extra-wide and extra deep document holder is a stable and versatile way to bring documents or books to an ergonomically correct viewing position.

## C200

Features	Benefits
Extra-wide and extra-deep platform	Fits up to tabloid / ledger size paper or book
Steel easel base sits on desktop	Supports heavy documents
Versatile angle adjustment with locking lever	Allows for easy viewing
Magnetic line guide	For ease of reading and keeps documents in place
Black with opaque line guide	Aesthetically pleasing design

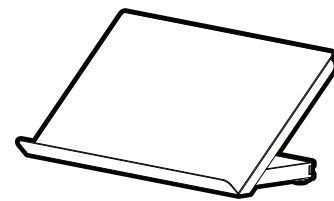


## C200 Document Holder

### Ancillary Products:

- Document holder is an ideal complement to any Knap & Vogt Waterloo keyboard arm or monitor support
- Use with Knap & Vogt Waterloo CPU holders

Model	Depth	Width	Height Range	Material	Line Guide	Weight
C200	9.9"	16.6"	2.3"-7.2"	Steel	Included	4.2 lbs



Black wrinkle paint



Code Compliance: Exceeds ANSI/BIFMA standards

Notes: 1. Weight = packaged shipping weight per unit. 2. Specifications are subject to change without notice.



2700 Oak Industrial Dr. NE  
 Grand Rapids, MI 49505-6026 USA  
 1.800.253.1561 | 616.459.3311  
 Fax: 877.636.3290  
[www.kv.com](http://www.kv.com)

This and other KV literature is available for download at [www.kv.com](http://www.kv.com) > Resource Library

Knap & Vogt reserves the right to change product specifications at any time without notice and without incurring responsibility for existing units.  
 ©2017 Knap & Vogt. KV and the KV logo are trademarks of Knap & Vogt.