



KNAPE  
& VOGT®



## *Xtend Dual Monitor Arm*

Dual screen, dual arm pole mounted Xtend arm. Economy priced dual monitor support with independent arm adjustment for each screen. The arms provide 26" of reach and 13" of usable height adjustment. Its counterbalanced spring technology allows for a 2 to 14 lbs load per arm and provides a longer life for the product by not relying on gas cylinders.

### *7823SJ05 Series*

#### Features & Benefits

Best in class arm provides 26.0" of reach with 13.0" of usable height adjustment

Short mounting pole allows monitor arm to fold into a 4-3/8" work area

Tool-less clamp installation makes assembly quick and easy

Flexibility and more options for the end user with a simple, easy-to-use Allen wrench adjustment to counterbalance the weight of screens

Standard VESA 75 mm x 75 mm and 100 mm x 100 mm hole patterns

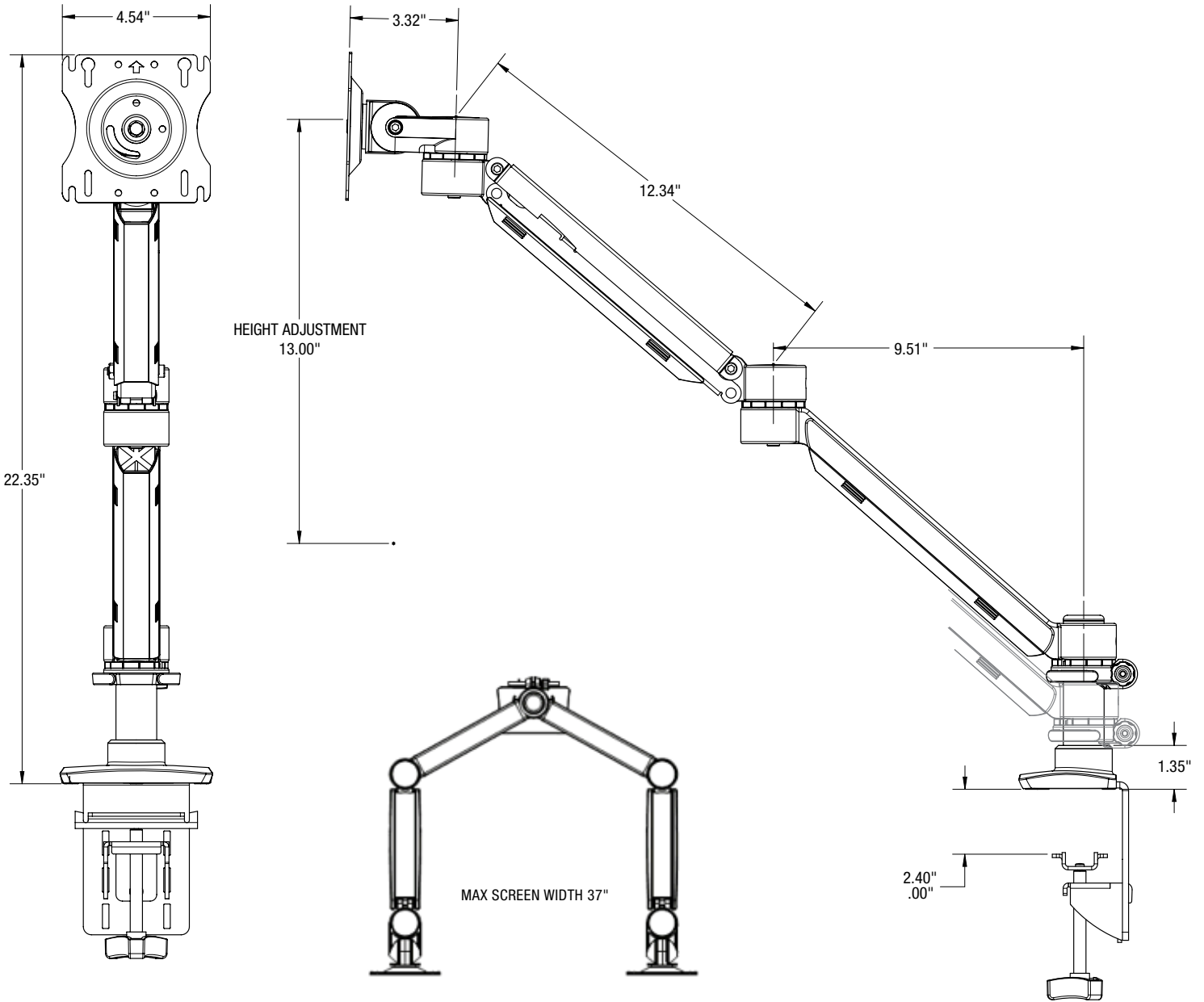
Clamping range of 0" to 2.40"

Clamp and grommet mount standard

Counterbalanced load rating of 2 to 14 lbs per arm

Cable management hides the cables to improve aesthetics

Allows for a maximum 37" screen width

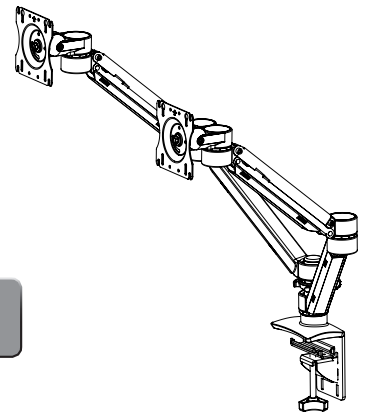
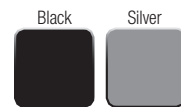


## 7823SJ05 Dual Screen, Dual arm Pole Mounted Xtend Arm

### Ancillary Products:

- Use with Knape & Vogt CPU holders and keyboard supports

Model	Description
7823SJ05	Dual Screen, two Double-Extension Arms with one Height Adjustable Segment per Screen Silver
7823BJ05	Dual Screen, two Double-Extension Arms with one Height Adjustable Segment per Screen Black



Notes: 1. Weight = packaged shipping weight per unit. 2. Specifications are subject to change without notice.



2700 Oak Industrial Dr. NE  
 Grand Rapids, MI 49505-6026 USA  
 1.800.253.1561 | 616.459.3311  
 Fax: 877.636.3290  
[www.kv.com](http://www.kv.com)

This and other KV literature is available for download at [www.kv.com](http://www.kv.com) > Resource Library

Knape & Vogt reserves the right to change product specifications at any time without notice and without incurring responsibility for existing units.  
 ©2017 Knape & Vogt. KV and the KV logo are trademarks of Knape & Vogt.