

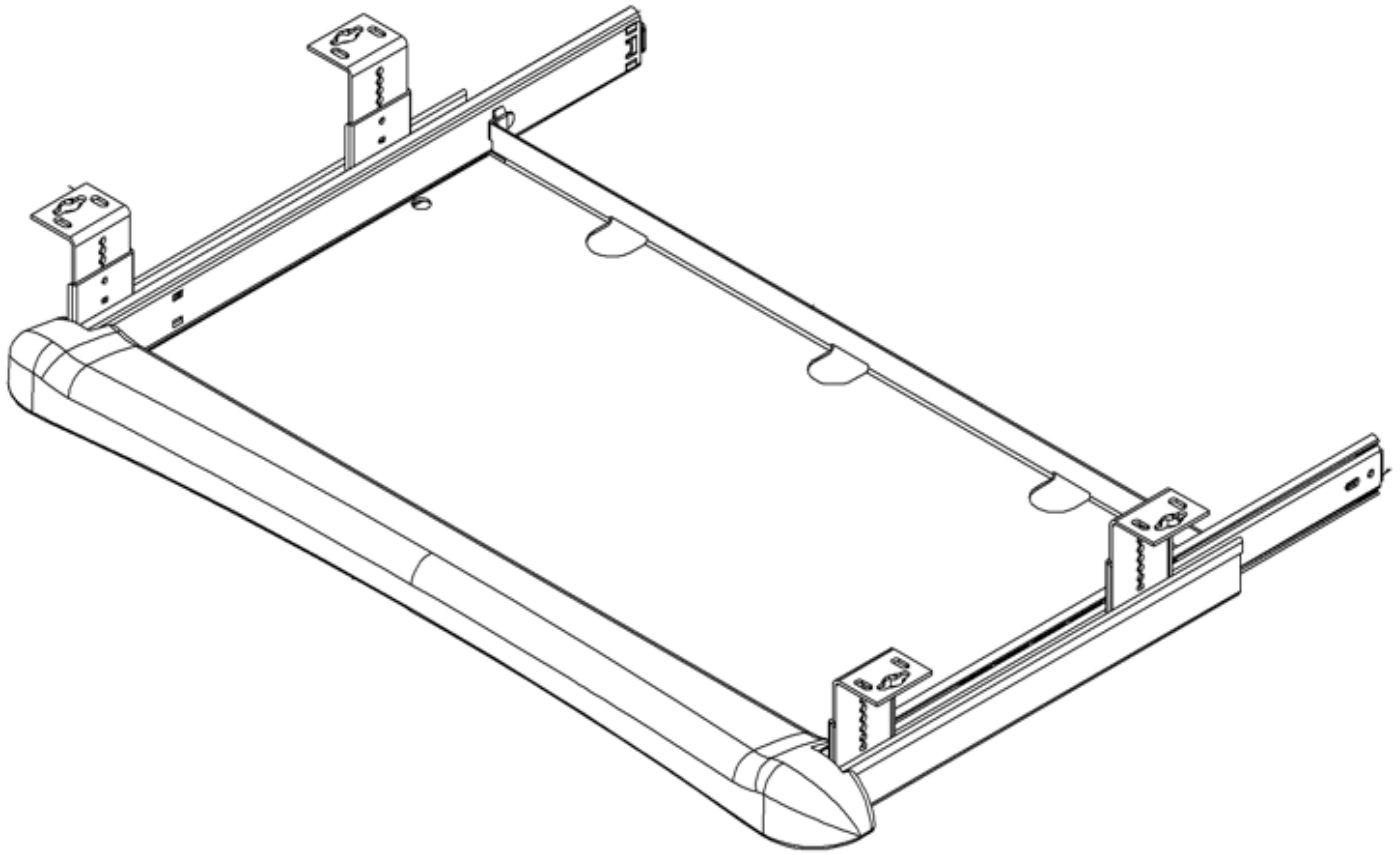


KD-100

KD-100

Basic keyboard drawer with palm rest for keyboard only applications.

| Features | Benefits |
|---|---|
| Wide steel keyboard drawer 20.0" wide x 10.0" deep | Drawer area provides ample space for most keyboard trays |
| Plastic palm rest | Palm rest providing typing comfort |
| Precision ball bearing slides with detent feature | Smooth drawer opening and retraction with hold out feature |
| Adjustable drop height feature provided on slide brackets | Height adjustments of 2.3" to 3.6" for ergonomic placement of drawer under work surface |
| Mounting hardware provided | Quick and easy installation |



Note: Brackets mount in outboard position under work surface for application widths 23" or greater, and in the inboard position for widths less than 20.75"

KD-100

Basic keyboard drawer system, for keyboard only applications

Ancillary Products:

- Use with Knape & Vogt CPU holders
- For flat panel displays, use the KV Concerto or Xtend series of monitor supports

| Model | Keyboard Drawer Width | Keyboard Drawer Depth | Load Rating | Material | Weight |
|--------|-----------------------|-----------------------|-------------|-----------------------|----------|
| KD-100 | 20.0" | 10.0" | 75.0 lbs | Painted Steel (Black) | 10.3 lbs |

Black



Code Compliance: Exceeds ANSI/BIFMA standards

Notes: 1. Weight = packaged shipping weight per unit. 2. Specifications are subject to change without notice.



2700 Oak Industrial Dr. NE
Grand Rapids, MI 49505-6026 USA
1.800.253.1561 | 616.459.3311
Fax: 877.636.3290
www.kv.com

This and other KV literature is available for download at www.kv.com > Resource Library

Knape & Vogt reserves the right to change product specifications at any time without notice and without incurring responsibility for existing units.
©2017 Knape & Vogt. KV and the KV logo are trademarks of Knape & Vogt.

OL2622/1017