



KNAPE
& VOGT®

WATERLOO



6021 Series

Altissimo™ Dual Sit-Stand Workstation

KV is pleased to introduce the Altissimo™ Dual LCD Sit-Stand Workstation that will allow users to adjust their work surface to an ergonomic seated or standing position in a smooth and effortless motion. The 6021 Series comes with or without a keyboard tray and shelf allowing customers to configure the Altissimo™ to their market needs.

This adjustable bracket supports most 24" monitors weighing up to 8 lbs each and offers independent

screen adjustments including tilt setting as well as portrait to landscape positioning.

Experience all the same features and benefits of the KV Sit – Stand Altissimo™ workstation with a dual monitor application allowing for simultaneous, parabolic viewing of both screens.

Beautifully designed, the Dual Screen Altissimo™ will complement every working environment and provide a comfortable and healthy environment for every user.

6021 Series

Features

With over 22" of gas assisted positioning, the Altissimo™ moves easily and effortlessly as users transition from seated to standing positions. Accommodates users ranging from the 5th percentile seated female to the 95th percentile standing male.

The Altissimo™ cleverly mounts at the rear of the work surface and extends forward so the keyboard tray may rest below the desk surface supporting proper ergonomic positioning. Using this location for mounting allows the user to swing the unit out of the way leaving the desk surface fully accessible.

The grommet mount included with the Altissimo™ Workstation promotes endless possibilities for mounting locations, through the installation of a 5/8" mounting hole. The c-clamp mount that is also included allows the dual directional base to be installed on either 24" or 30" deep work surfaces.

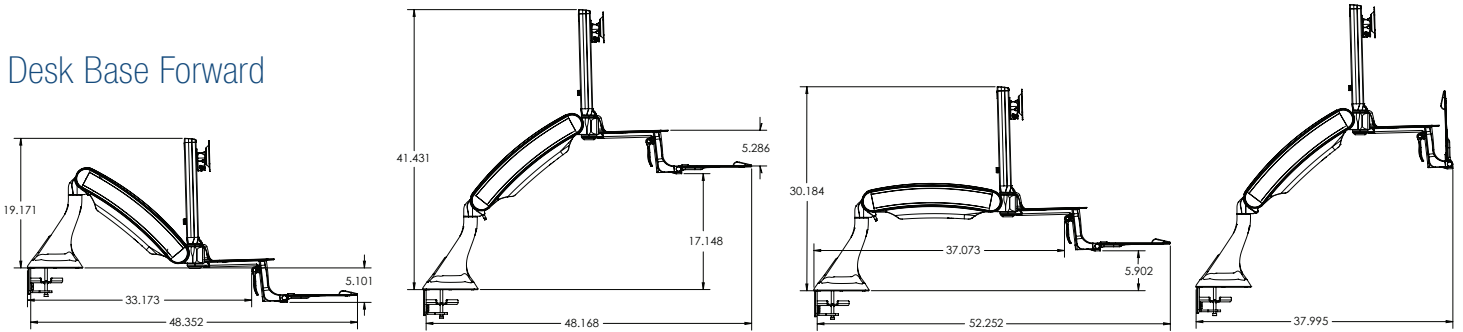
The integral dual tray system offers a spacious keyboard and mouse platform with an adjustable tilt mechanism for comfort settings, as well as a secondary surface for placing items which need to remain close at hand while working in either a seated or standing position.

Information sharing is seamless as the monitor tower rotates independently from the work surface through 180° left and right range.

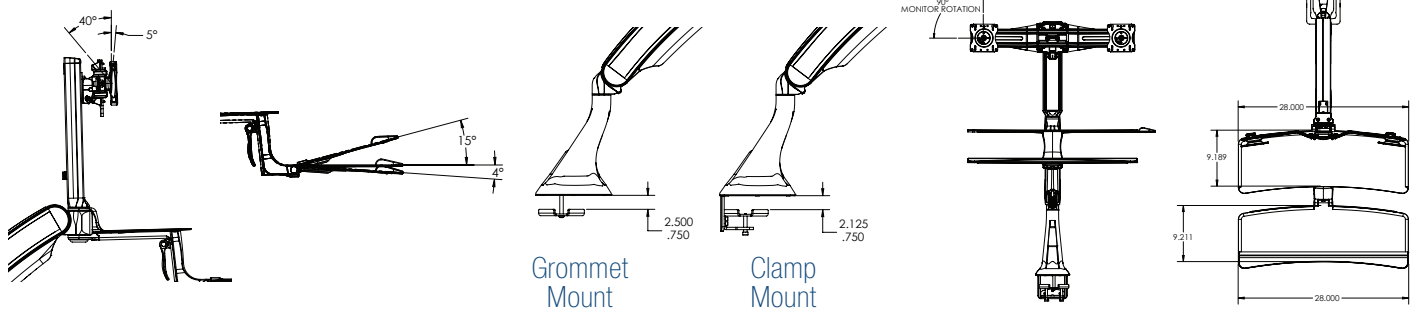
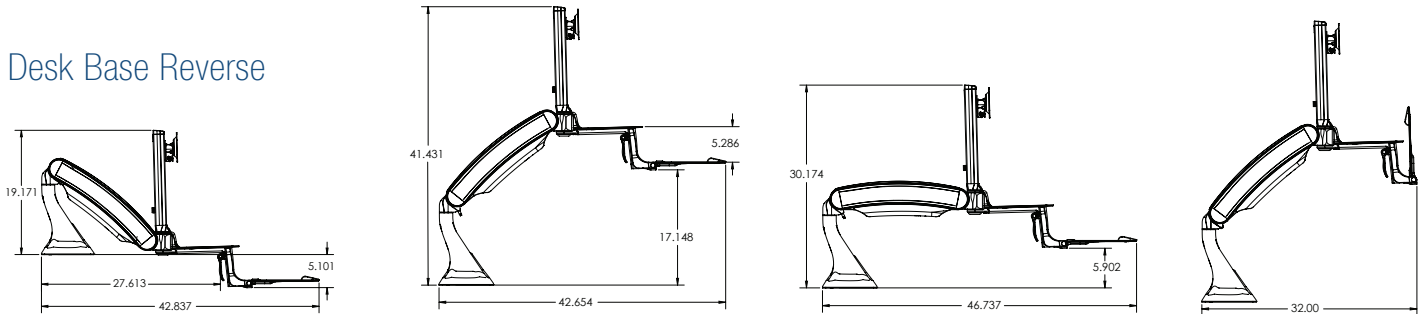
Tested to 20,000 cycles (with the exception of the monitor tower which is supported up to 10,000 cycles) and comes with a 5 year warranty.

Available in Black, Silver or White.

Desk Base Forward



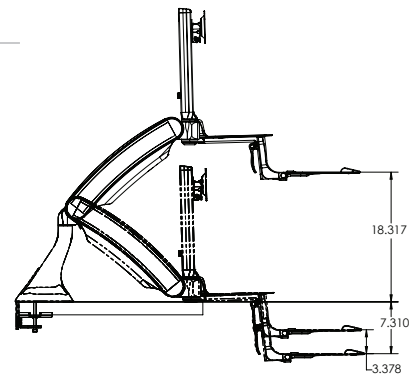
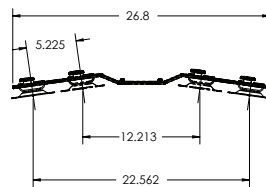
Desk Base Reverse



Altissimo™ Dual Sit-Stand Workstation 6021 series

Ancillary Products:

- Use with Knape & Vogt Waterloo CPU holders
- Altissimo™ Dual Mount Kit



Model	Adjustment Range	Screen Weight (ea)	Screen Width (ea)	Screen Tilt	Tray Dimensions	Color	Weight
Dual Sit-Stand Workstation with tray and shelf							
6021Y2	22"	8 lbs	11.25"	Portrait to landscape rotate	9" D x 28" W	White/Gray Accents	42 lbs
6021E2	22"	8 lbs	11.25"	Portrait to landscape rotate	9" D x 28" W	Black/Black Accents	42 lbs
6021AS2	22"	8 lbs	11.25"	Portrait to landscape rotate	9" D x 28" W	Silver/Gray Accents	42 lbs
Dual Sit-Stand Workstation without tray and shelf							
6021Y0	22"	8 lbs	11.25"	Portrait to landscape rotate	N/A	White/Gray Accents	35 lbs
6021E0	22"	8 lbs	11.25"	Portrait to landscape rotate	N/A	Black/Black Accents	35 lbs
6021AS0	22"	8 lbs	11.25"	Portrait to landscape rotate	N/A	Silver/Gray Accents	35 lbs

Notes: 1. Weight = packaged shipping weight per unit. 2. Specifications are subject to change without notice.



2700 Oak Industrial Dr. NE
Grand Rapids, MI 49505-6026 USA
1.800.253.1561 | 616.459.3311
Fax: 877.636.3290
www.kv.com

ergonomx.kv.com
cs.waterloo@kv.com

OL2619/0815