



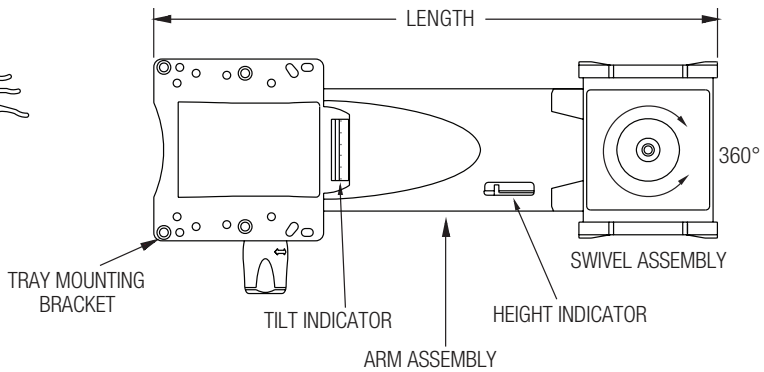
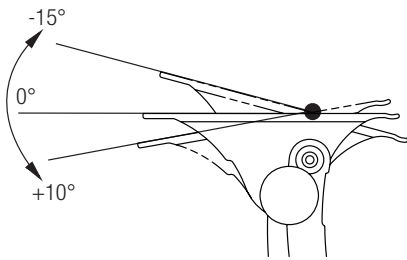
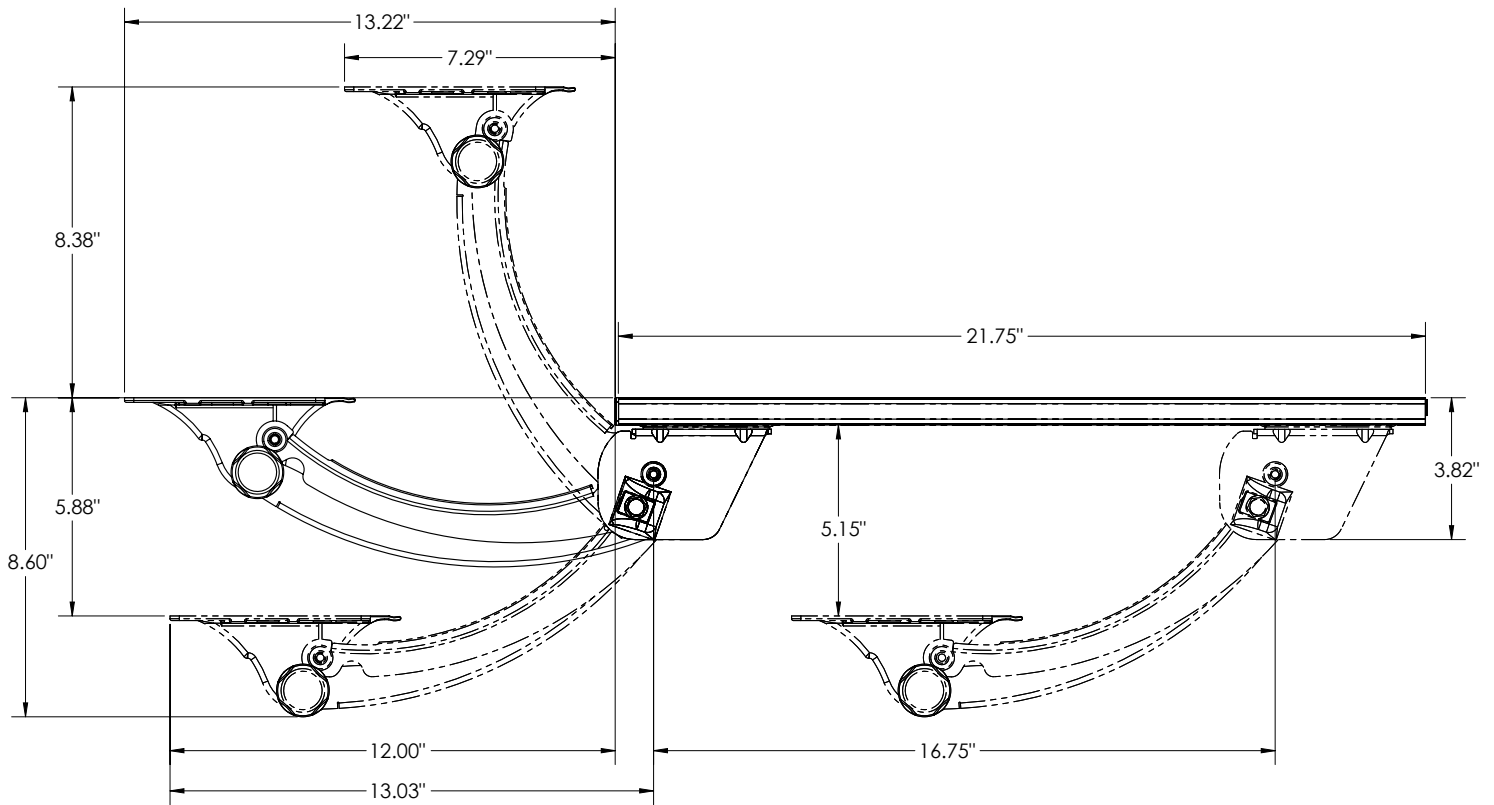
Ovation Arm

Sit-Stand Length

The Ovation Sit-Stand Arms maximize ergonomic support for both seated and standing positions. The Ovation includes a patented dial tilt gauge and a height gauge to provide specific ergonomic adjustments.

8474 & 8674 series

Features	Benefits
Includes a patented dial tilt gauge	Shows the angle of the tray as tilt knob is turned from -15° to +10°
Incorporated height gauge	Marks user's best ergonomic keyboarding position for repeatable location
Increased height range from 8.38" above track to 5.88" below track	Comfortable positioning at either seated or standing posture
Enhanced, patented Lift-N-Lock™ braking mechanism	Easy adjustment of height of keyboard tray Superior lock-up, increased stability and improved accuracy of tilt position
Curved neck	Allows users to be closer to the desk in seated and standing positions
360° swivel	Keyboard tray moves easily from side to side for more flexibility
Positive tilt lockout option	Locks out positive tilt
Dual swivel option	Keyboard can always be parallel to desk even when corner mounted
Wherever possible, recycled materials are used to manufacture components	Environmentally friendly
Designed for disassembly and 100% recyclability	

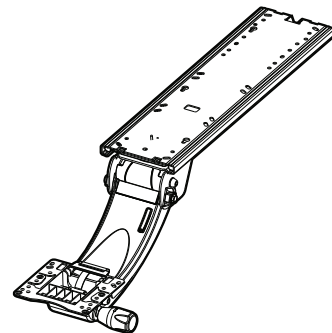


Ovation Arm Sit-Stand Length 8474 & 8674 series

Ancillary Products:

- Ovation Sit-Stand is an ideal complement to the Harmony Tray
- Compatible with most Knape & Vogt Waterloo keyboard trays
- Use with Knape & Vogt Waterloo CPU holders
- For flat panel displays, specify the Concerto flat panel support system

Model	Height Range	Tilt	Length	Travel	Track Size	Track Style	Weight
8474D21	+8.38"/-5.88"	-15°/+10°	17.9"	16.75"	21.75"	plastic glide	11.3 lbs
8474D23	+8.38"/-5.88"	-15°/+10°	17.9"	18.00"	23.00"	plastic glide	11.8 lbs
8674D21	+8.38"/-5.88"	-15°/+10°	18.3"	16.75"	21.75"	ball bearing	11.3 lbs
8674D23	+8.38"/-5.88"	-15°/+10°	18.3"	18.00"	23.00"	ball bearing	11.8 lbs



Finish: Black wrinkle paint
Code Compliance: Exceeds ANSI/BIFMA standards
 Also available in standard and extended lengths

Notes: Weight = packaged shipping weight per unit. Specifications are subject to change without notice.



2700 Oak Industrial Dr. NE
 Grand Rapids, MI 49505-6026 USA
 1.800.253.1561 | 616.459.3311
 Fax: 877.636.3290
www.kv.com

This and other KV literature is available for download at www.kv.com > Resource Library

Knape & Vogt reserves the right to change product specifications at any time without notice and without incurring responsibility for existing units.
 ©2018 Knape & Vogt. KV and the KV logo are trademarks of Knape & Vogt.