

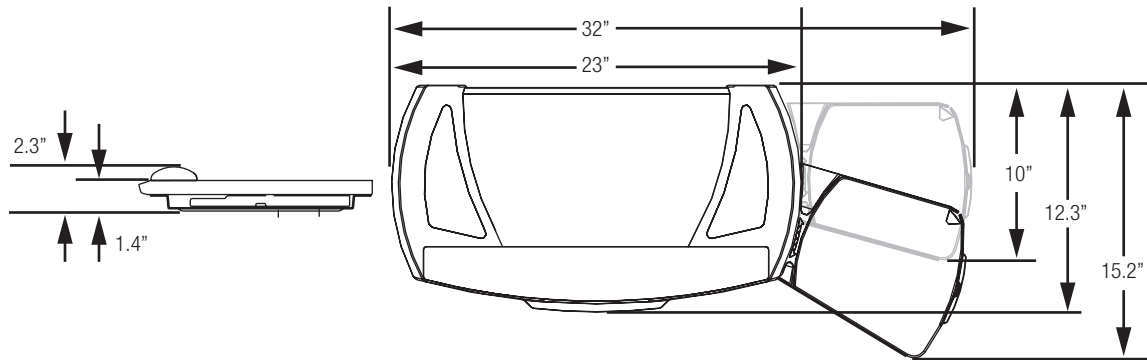
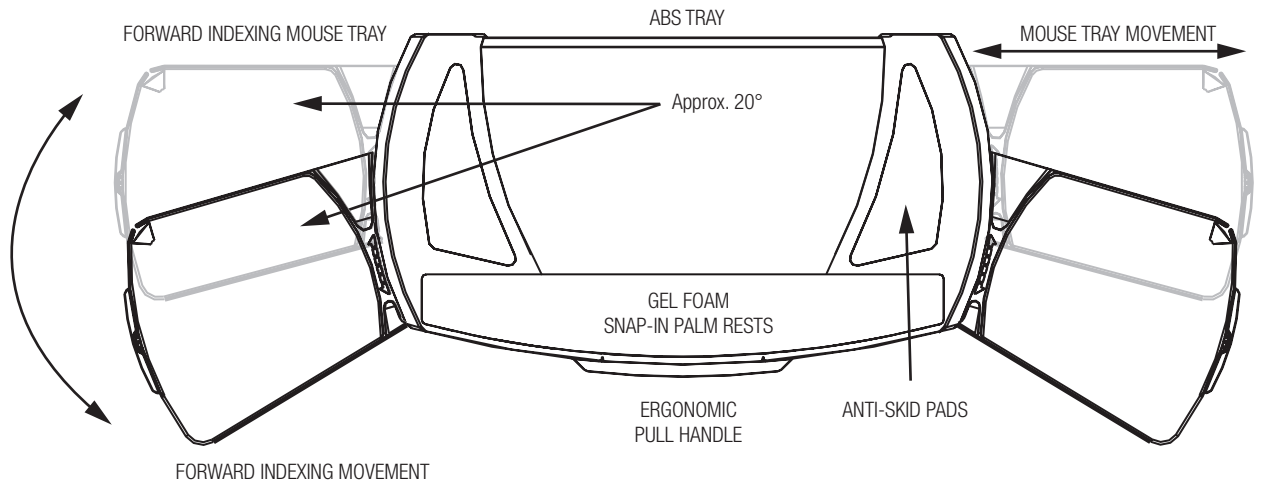


6531D

Harmony Tray

Harmony is a premium keyboard tray that features a slide-through, adjustable mouse forward deck that easily adjusts for left and right hand use, and accommodates wave-style keyboards. Harmony is the perfect complement to the Legato and Ovation arms.

Features	Benefits
Ergonomically shaped, stable, low-profile tray	Provides the support needed in an aesthetically pleasing design
Anti-skid grip strips	Strips prevent keyboard slippage
Sliding mousing surface has three forward index positions	Adjust mousing within neutral reach zone for better ergonomic posture
Mousing surface adjusts easily from side to side for right and left-hand usage	Perfect for multiple users
Built-in cable manager and fence	Prevents mouse from slipping off tray
Plug in foam-gel palm rest	Offers gentle support, easy-to-clean wrinkle finish and wear resistant material
Flexible design accommodates equipment change	Fits most wave style keyboards including Microsoft Natural™
Universal mounting pattern	Attaches to all Knappe & Vogt Waterloo keyboard arms
Ergonomic pull handle	Eases keyboard monitor movement into and out of storage



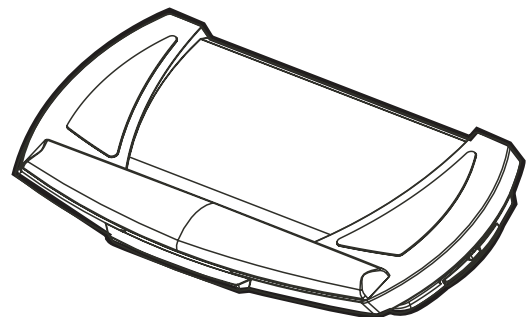
Harmony Tray

Ancillary Products:

- Compatible with most Knap & Vogt Waterloo arms
- Use with Knap & Vogt Waterloo CPU holders
- For flat panel displays, specify the Concerto flat panel support system

Model	Keyboard Width	Material	Colour	Mouse Tray	Palm Rest
6531D	23"	ABS	black	slide-through	included
6530D	23"	ABS	black	none	included

ABS Black



Notes: 1. Specifications are subject to change without notice.



2700 Oak Industrial Dr. NE
 Grand Rapids, MI 49505-6026 USA
 1.800.253.1561 | 616.459.3311
 Fax: 877.636.3290
www.kv.com

This and other KV literature is available for download at www.kv.com > Resource Library

Knap & Vogt reserves the right to change product specifications at any time without notice and without incurring responsibility for existing units.
 ©2017 Knap & Vogt. KV and the KV logo are trademarks of Knap & Vogt.