



KNAPE  
& VOGT®



7820SH



## Concerto

The Concerto is a stunning take on an already brilliant innovation from Knap & Vogt Waterloo. One part workhorse, one part museum piece, this monitor arm continues in the fine tradition of its predecessor and builds on a sterling reputation.

### 7800 series

#### Features & Benefits

Flexibility and more options for the end user with a simple, easy-to-use Allen wrench adjustment

Double Extension models allow 24" of back and forth movement. Arm folds back to post for more desk space

The Concerto supports a 20 lbs load capacity (per screen)

Options are available for panel, wall and slatwall mounting configurations

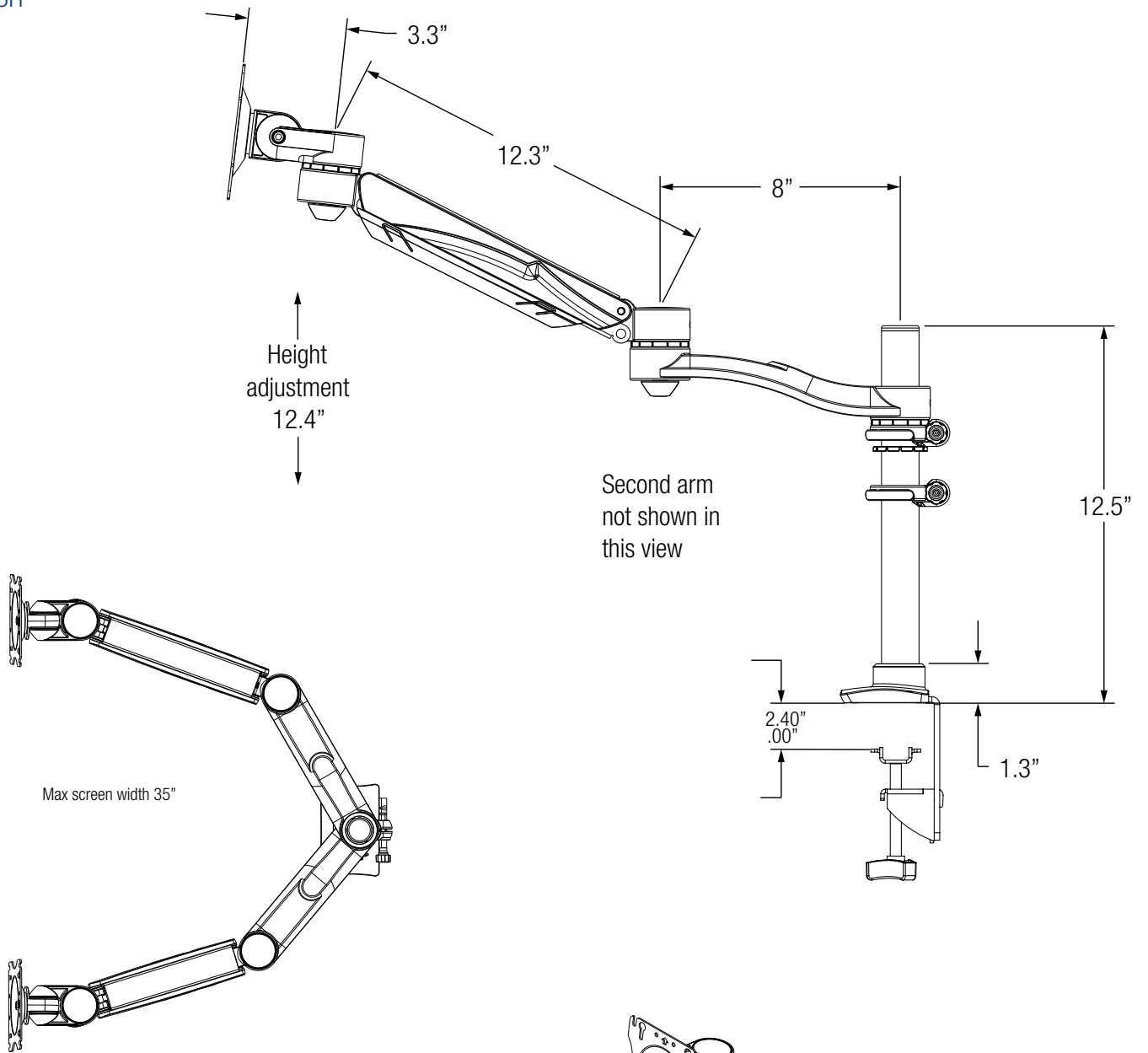
Desk clamp and grommet mount hardware are included to minimize SKUs

Clamp and grommet adjustable to fit most desks and work surfaces

New cable manager keeps all cables hidden

Monitor mounting bracket, with Quick Connect, contains both 75mm and 100mm hole patterns to comply with VESA standards

Allows for a maximum 35" screen width



*Concerto with Height Adjustment Arm 7800 series*

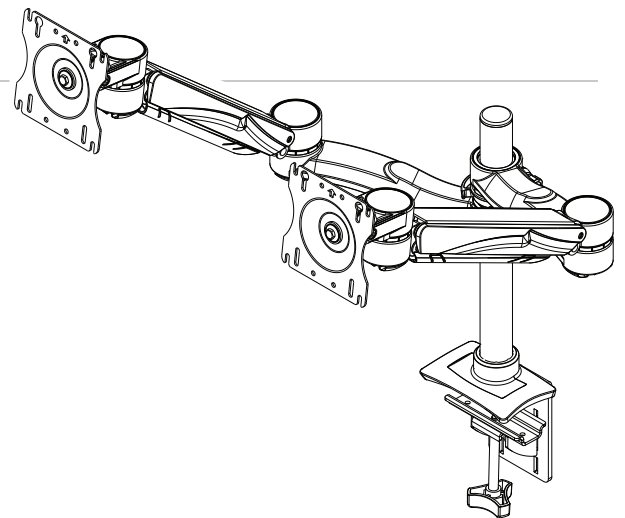
Model	Description
7820SH	Dual-Screen, two Double-Extension Arms with one Height-Adjustable Segment per screen

**Colour Options**

To specify colour, other than silver, replace the "S" in the part number with:

**B** = Black **W** = White **P** = Polished

For example, to get a "7820SH" in white, order 7820WH.



Notes: 1. Weight = packaged shipping weight per unit. 2. Specifications are subject to change without notice.



2700 Oak Industrial Dr. NE  
 Grand Rapids, MI 49505-6026 USA  
 1.800.253.1561 | 616.459.3311  
 Fax: 877.636.3290  
[www.kv.com](http://www.kv.com)

*This and other KV literature is available for download at [www.kv.com](http://www.kv.com) > Resource Library*

*Knap & Vogt reserves the right to change product specifications at any time without notice and without incurring responsibility for existing units.  
 ©2017 Knap & Vogt. KV and the KV logo are trademarks of Knap & Vogt.*