

7810S

Concerto *Monitor Arm*

Ideal for short benches and workstations, this economical single screen monitor arm gives the user the ability to quickly find the ultimate ergonomic position for the flat panel display at an affordable price.

7800S series

Features

Tool-less clamp installation makes assembly quick and easy

Patented Quick-Connect adapter allows fast, simple assembly

Includes Allen keys for tilt adjustment

The arm swivels 360° around the base, increasing the options for display position

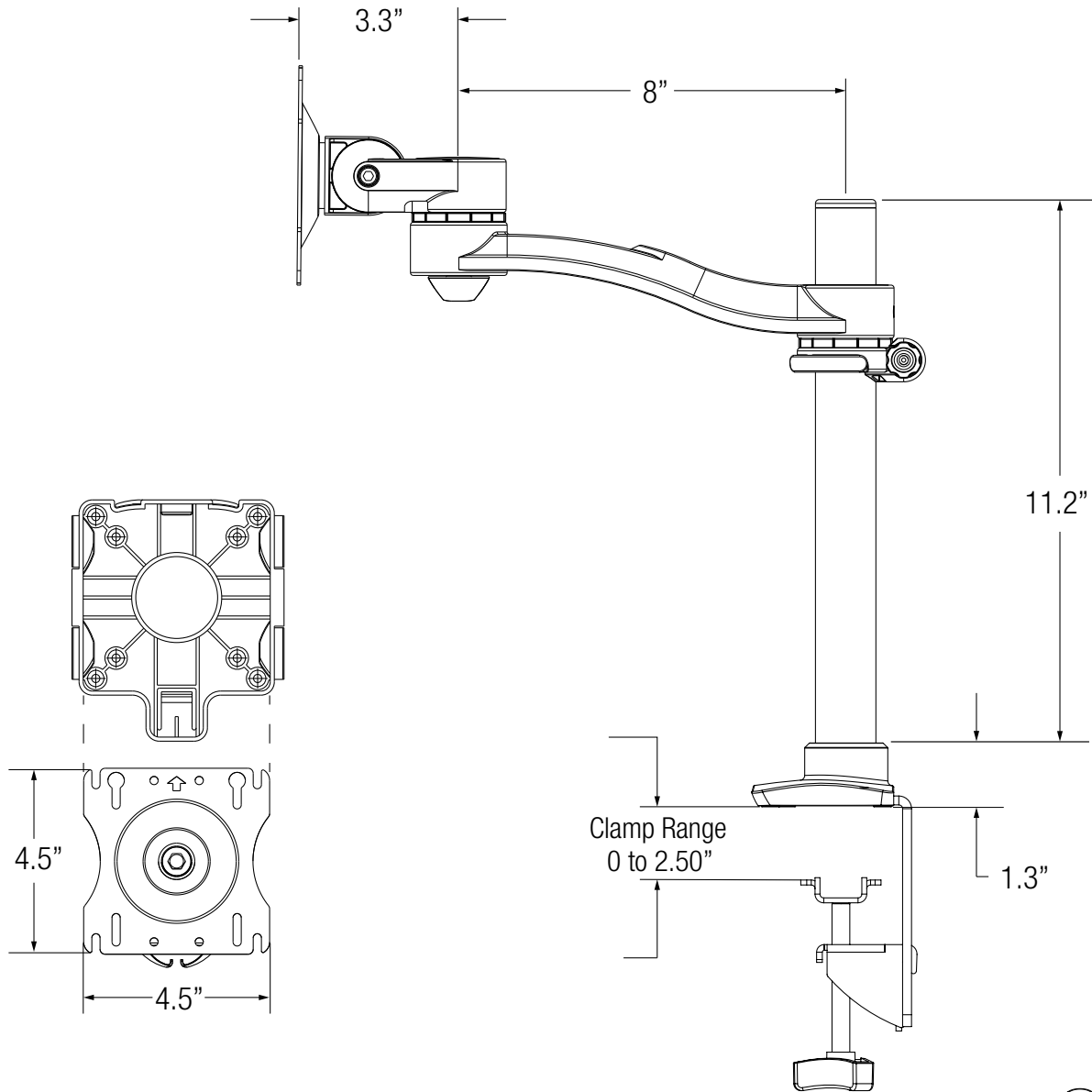
Load capacity of 20 lbs.

Options are available for panel, wall and slatwall mounting configurations

Clamp and/or grommet mount hardware included

Monitor mounting bracket, contains both 75mm and 100mm hole patterns to comply with VESA standards

Pole allows a static height adjustment range of 11"



Concerto Monitor Arm 7800 series

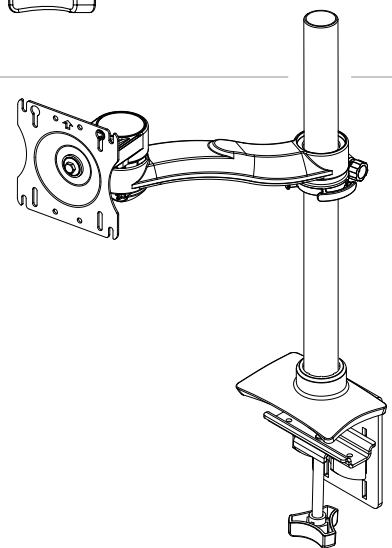
Model	Description
7810S	Single screen, Single Extension, 12" pole
7810S16	Single screen, Single Extension, 16" pole

Color Options

To specify color, other than silver, replace the "S" in the part number with:

B = Black **W** = White **P** = Polished

For example, to get a "7810S" in white, order 7810W.



Notes: 1. Weight = packaged shipping weight per unit. 2. Specifications are subject to change without notice.



2700 Oak Industrial Dr. NE
 Grand Rapids, MI 49505-6026 USA
 1.800.253.1561 | 616.459.3311
 Fax: 877.636.3290
www.kv.com

This and other KV literature is available for download at www.kv.com > Resource Library

Knap & Vogt reserves the right to change product specifications at any time without notice and without incurring responsibility for existing units.
 ©2018 Knap & Vogt. KV and the KV logo are trademarks of Knap & Vogt.