



HPR-3B

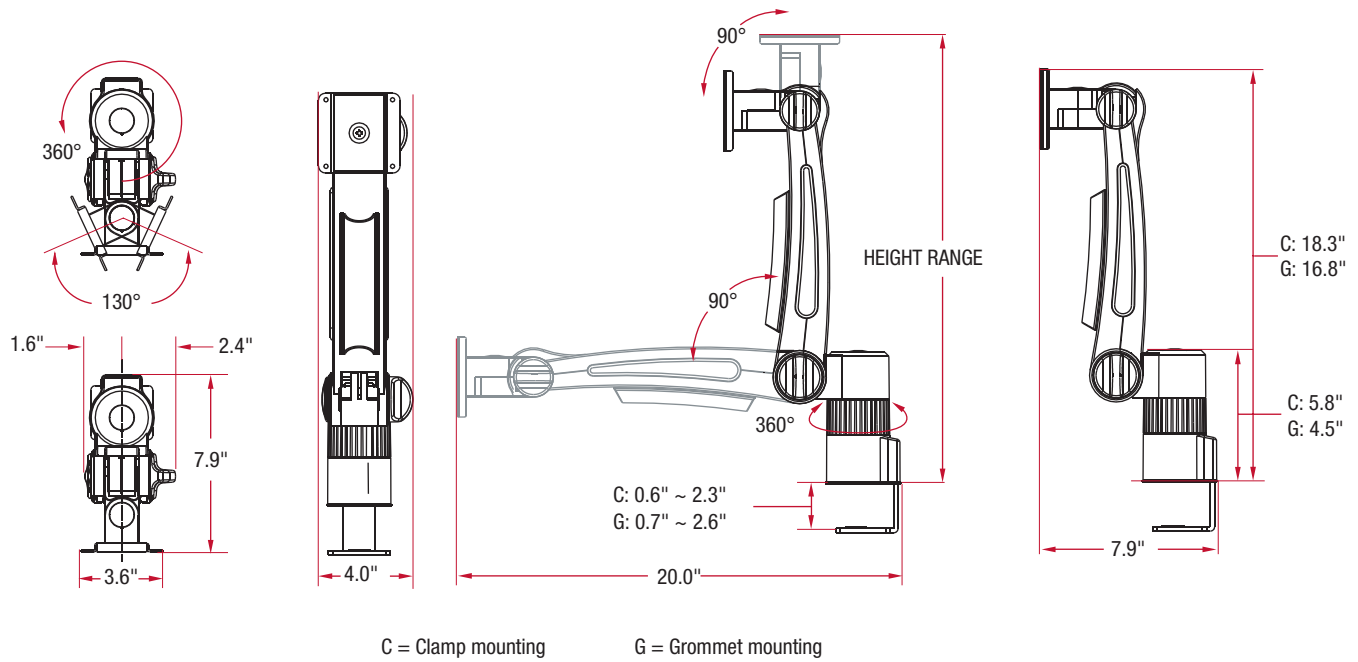
CLEARANCE
Stock may be limited.

Hopper Monitor Arm

The Hopper LCD monitor arm enables a full range of motion and ensures a high degree of monitor stability. Simple and easy to use with minimal workspace clutter, Hopper is ideal for small workspaces and home offices.

HPR-3B

Features	Benefits
Low-profile mounting system and integrated cable management snap-on shroud	Work together to minimize work surface clutter
Unique, multi-directional swivel system	Enables a full range of motion while ensuring a high degree of monitor stability
VESA standard mounting plate	75mm and 100mm versions are included
Swivel adjustment on arm base and mounting head	Makes adjustment of the monitor simple and easy
Tension control knobs	Designed to counterbalance monitor weights from 6 to 12 lbs
Grommet mounting option included	Reduces number of SKUs customer must order



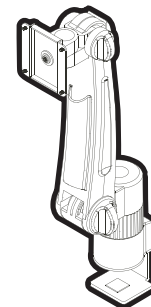
Hopper Monitor Arm HPR-3B

Ancillary Products:

- Hopper is an ideal complement to the Harmony tray/Ovation arm combination
- Use with Knape & Vogt Waterloo CPU holders
- For multiple flat panel displays, specify the Concerto flat panel support system

Model	Height Range	Width	Length	Load	Weight
HPR-3B	19.1" / 19.9"	4.0"	7.9"	6.0 - 12.0 lbs	5.0 lbs

Black



Notes: 1. Weight = packaged shipping weight per unit. 2. Specifications are subject to change without notice.



2700 Oak Industrial Dr. NE
Grand Rapids, MI 49505-6026 USA
1.800.253.1561 | 616.459.3311
Fax: 877.636.3290
www.kv.com

This and other KV literature is available for download at www.kv.com > Resource Library

Knape & Vogt reserves the right to change product specifications at any time without notice and without incurring responsibility for existing units.
©2020 Knape & Vogt. KV and the KV logo are trademarks of Knape & Vogt.

OL2477/0920