



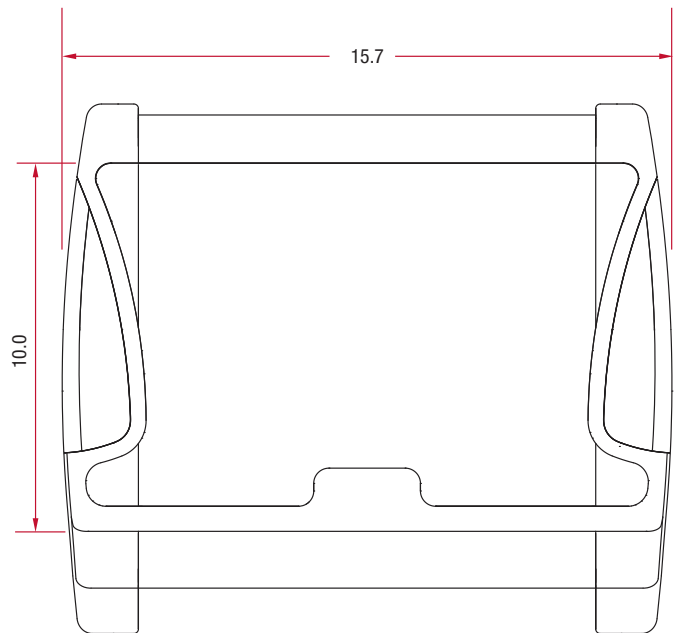
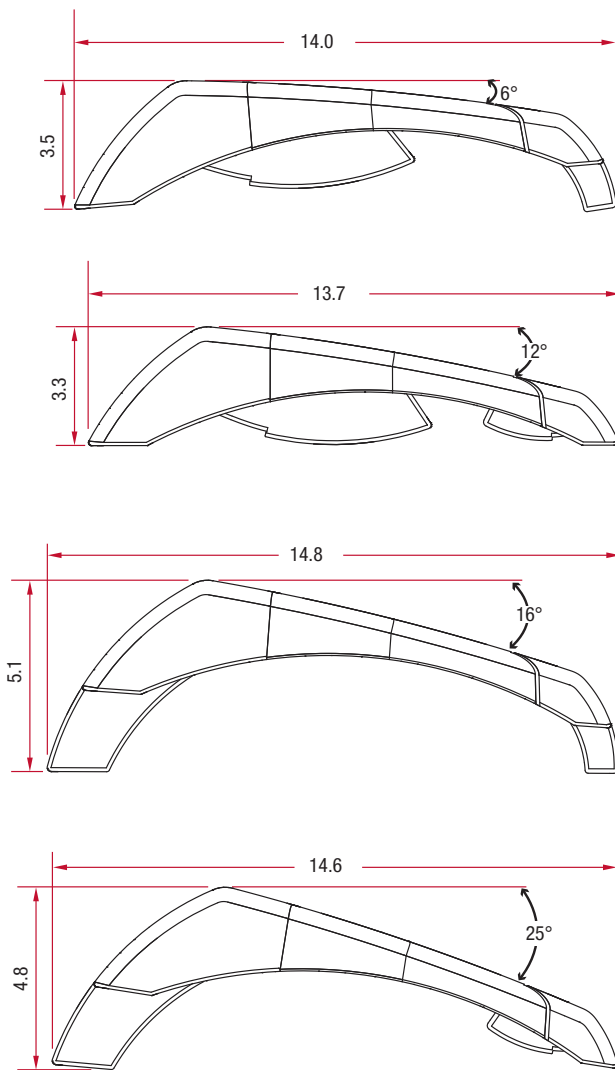
C800

C800 *Foot Rest*

Ample adjustable foot support to accommodate various users, especially when the chair adjustment is not enough.

C800 series

Features	Benefits
Folding support legs providing tilt angles of 6°, 12°, 16°, and 25°	Easy tilt adjustment to accommodate various users, especially when chair adjustment is inadequate
Anti-fatigue rubber surface on platform	Provides additional user comfort
Platform surface 15.7 x 10"	Provides ample space for foot support area
Black with grey accents	Aesthetically pleasing design

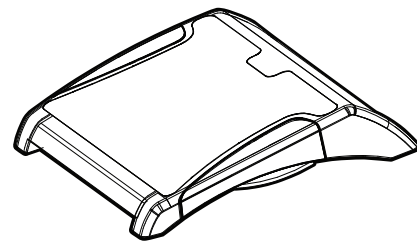


C800 Foot Rest

Ancillary Products:

- Foot rest is an ideal complement to any Knape & Vogt Waterloo keyboard arm and monitor support
- Use with Knape & Vogt Waterloo CPU holders

Model	Depth	Width	Tilt Adjustment Angles	Anti-Fatigue Mat	Weight
C800	13.7" to 14.8"	15.7"	6°, 12°, 16° and 25°	Included	3.7 lbs



Black plastic with grey accents



Notes: 1. Weight = packaged shipping weight per unit. 2. Specifications are subject to change without notice.



2700 Oak Industrial Dr. NE
Grand Rapids, MI 49505-6026 USA
1.800.253.1561 | 616.459.3311
Fax: 877.636.3290
www.kv.com

This and other KV literature is available for download at www.kv.com > Resource Library

Knape & Vogt reserves the right to change product specifications at any time without notice and without incurring responsibility for existing units.
©2017 Knape & Vogt. KV and the KV logo are trademarks of Knape & Vogt.

OL2476/0217