



Knappe & Vogt Waterloo iPad® Tablet Holder

Knappe & Vogt Waterloo introduces the 7803M series iPad® tablet holder. The innovation behind this design is its simplicity. The iPad® tablet holder mounts easily onto a standard VESA plate, making everyday tasks on your device ergonomically beneficial.

7803M series

Features & Benefits

The Knappe & Vogt Waterloo iPad® tablet holder mounts directly to a standard VESA 100mm x 100mm

Holds iPad® upright in landscape or portrait views

Stable steel cradle design

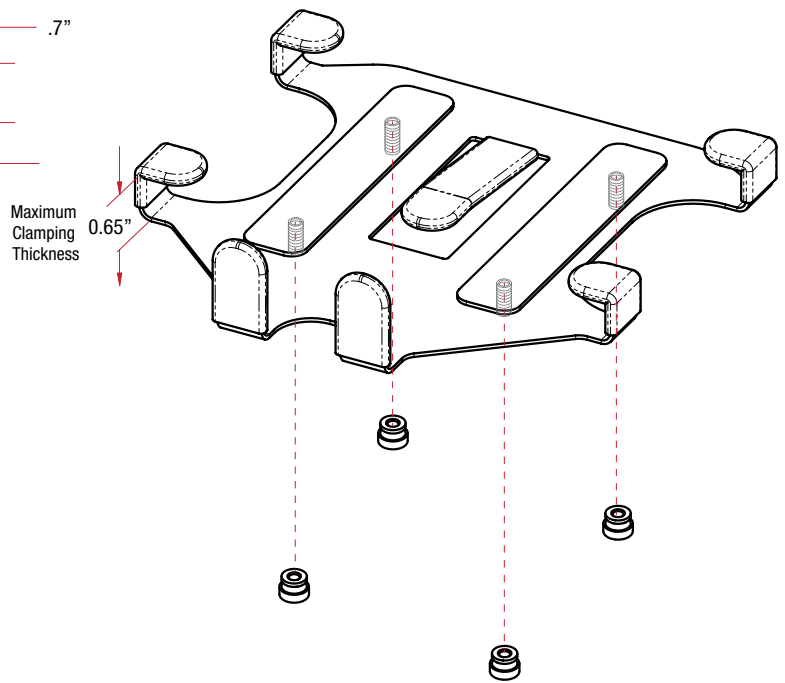
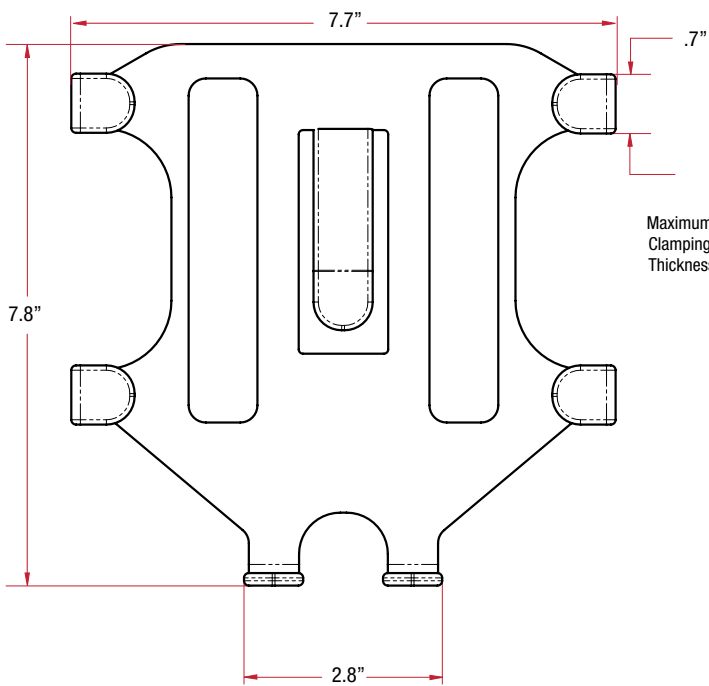
Non-slip cushioned cradle holds the iPad® firmly in place

Cradle uses a cut-out style to accommodate use of cables

Mounting hardware included

Supports 1 and 2 series iPad® models

Adjustable tab provides snug fit for iPad® 1 and 2 series thicknesses

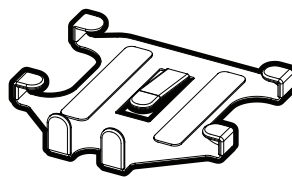


Knape & Vogt iPad® Tablet Holder 7803M series

Ancillary Products:

- For flat panel displays, specify the Concerto or Xtend flat panel support system
- An ideal compliment to any Knape & Vogt Waterloo keyboard tray
- Use with Knape & Vogt Waterloo CPU holders

Model	Height	Width	Color	Weight
7803MS	7.8"	7.7"	Silver	1 lbs
7803MB	7.8"	7.7"	Black	1 lbs
7803MW	7.8"	7.7"	White	1 lbs



Notes: Weight = packaged shipping weight per unit. Specifications are subject to change without notice.



2700 Oak Industrial Dr. NE
 Grand Rapids, MI 49505-6026 USA
 1.800.253.1561 | 616.459.3311
 Fax: 877.636.3290
www.kv.com

This and other KV literature is available for download at www.kv.com > Resource Library

Knape & Vogt reserves the right to change product specifications at any time without notice and without incurring responsibility for existing units.
 ©2016 Knape & Vogt. KV and the KV logo are trademarks of Knape & Vogt.