



7322D17

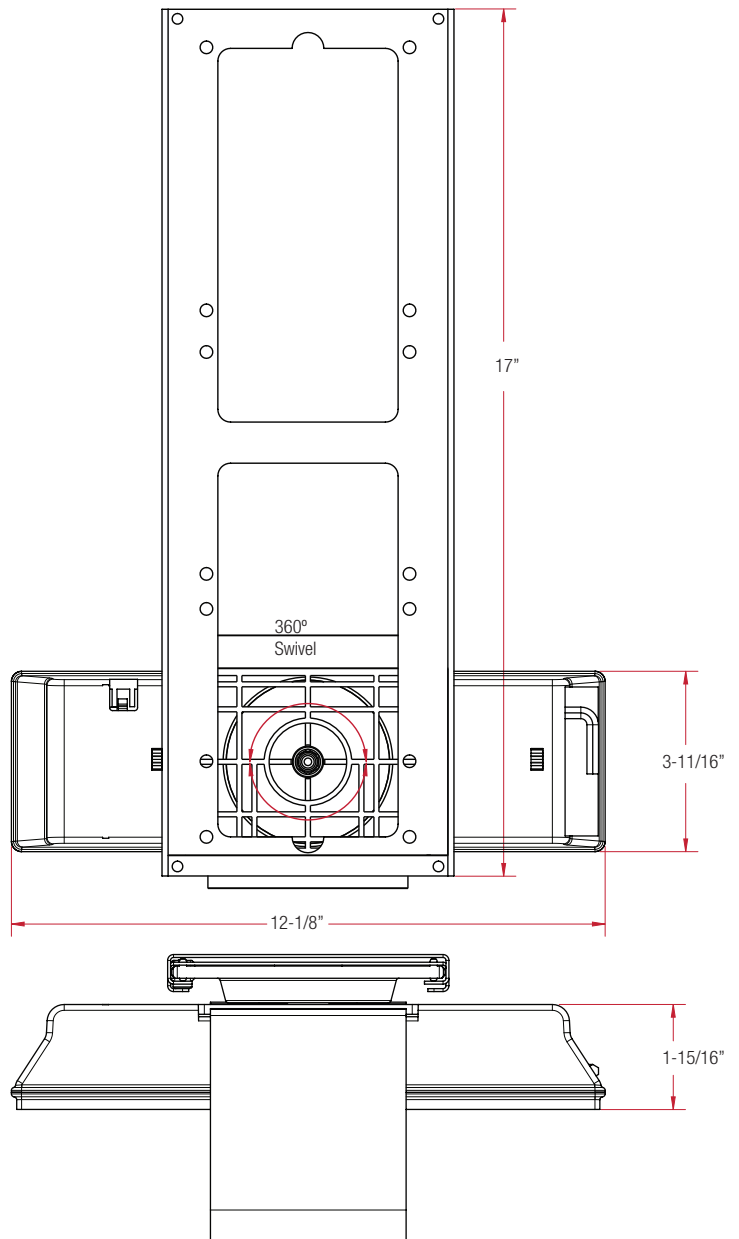
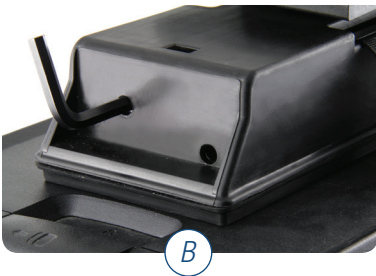
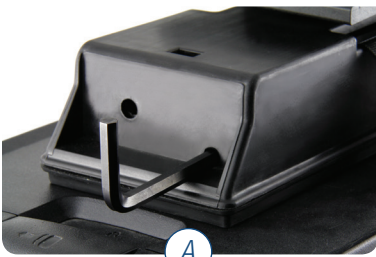
CPU Holder

The Knap & Vogt Waterloo Single Strap CPU holder is a streamlined and adjustable device with an innovative ratchet locking strap-support mechanism. This enables the CPU to be off the floor or desk surface to create a space-saving solution. By elevating the unit, the users also benefit from its easy accessibility.

| Features | Benefits |
|--|--|
| Innovative ratchet locking mechanism | Easy locking adjustment with supplied Allen key for quick installation |
| CPU retracts on a 17" glide track and swivels to allow full accessibility and easy storage | Frees up floor or desk space and makes for a safer work environment |
| Accommodates CPU's weighing up to 30 lbs and measuring 64" in perimeter | Flexible, strong and versatile. Ideal for small form factor CPU's |
| Single wide strap adjustment | The wider strap provides greater security to lock the CPU in place |
| Soft touch Anti-slip pad protect the CPU | Supports and protects both rectangular and curved CPU's |

7322D17

The single strap CPU holder design supports most units (including small form factor CPU's) and gives the end user a space-saving alternative. The sleek, form-fitting strap blends seamlessly with the desk. To tighten the CPU, simply use the provided Alley Key with the ratchet mechanism (fig. A). The key can then be stored in the slot provided at the far right of the unit (Fig. B).

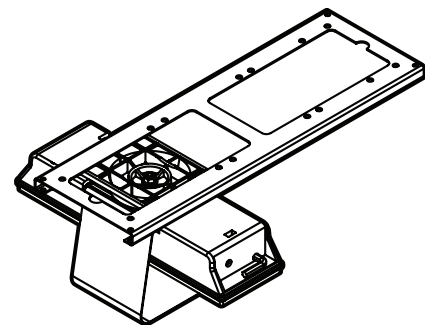


CPU Holder 7300 series

Ancillary Products:

- Knap & Vogt Waterloo CPU Holders are an ideal complement to any Knap & Vogt Waterloo keyboard support
- For flat panel displays, specify the Concerto flat panel support system

| Model | Width Adjustment | Weight | Weight Capacity | Swivel | Track Size |
|---------|----------------------|---------|-----------------|--------|------------|
| 7322D17 | Max 64" in perimeter | 3.9 lbs | 30 lbs | 360° | 17" |



Notes: 1. Weight = packaged shipping weight per unit. 2. Specifications are subject to change without notice.



2700 Oak Industrial Dr. NE
Grand Rapids, MI 49505-6026 USA
1.800.253.1561 | 616.459.3311
Fax: 877.636.3290
www.kv.com

This and other KV literature is available for download at www.kv.com > Resource Library

Knap & Vogt reserves the right to change product specifications at any time without notice and without incurring responsibility for existing units.
©2016 Knap & Vogt. KV and the KV logo are trademarks of Knap & Vogt.

OL2469/1017