

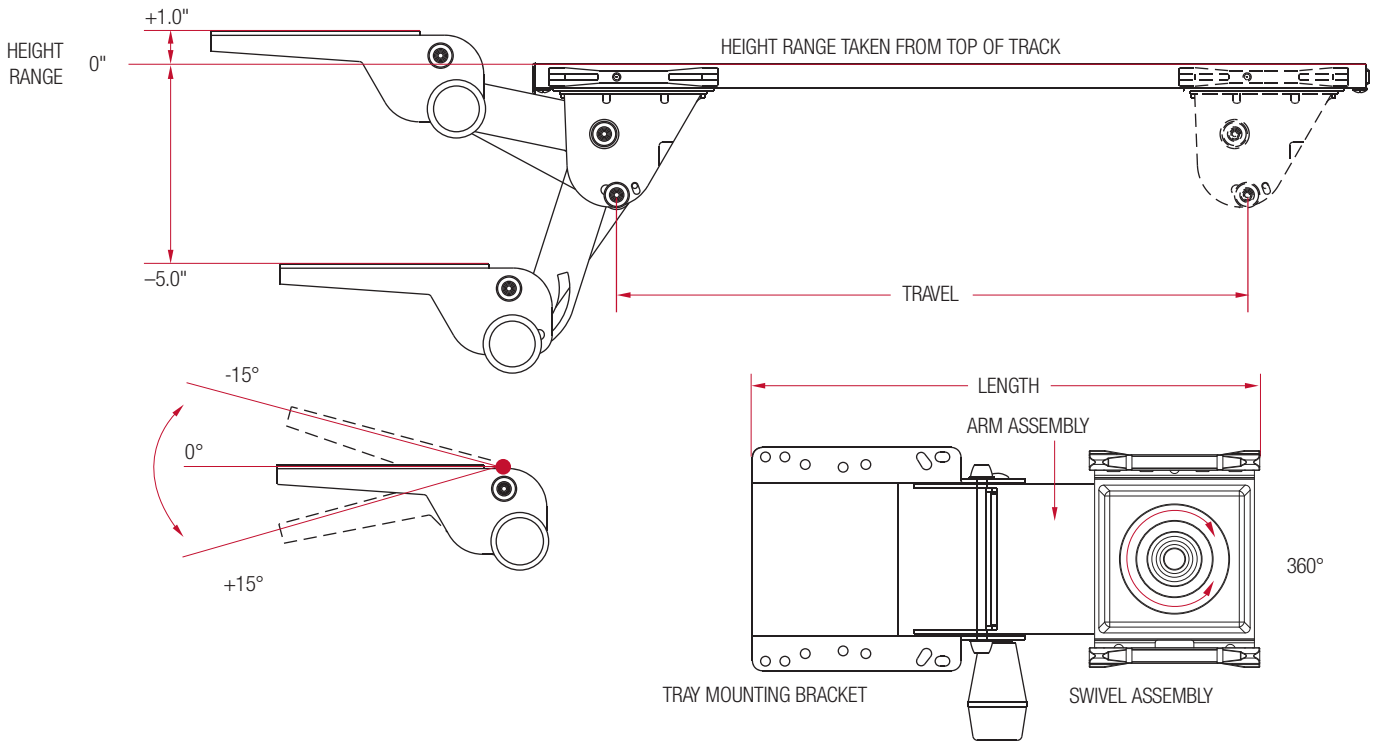


Echo Arm

Even with an entry-level arm, you benefit from all the research and patented technology that only Knap & Vogt Waterloo can bring you.

5700 series

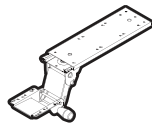
Features	Benefits
Soft-touch knob for simultaneous height and tilt adjustment	Easy to use, all-in-one adjustment
Spring-assisted to help counter balance keyboard and tray weight	Easy to position keyboard to precise location
Low-profile design	Provides maximum leg room
360° swivel	User can move keyboard freely from side to side
Stores on glide track	Frees up space in front of desk



Echo Arm 5700 series

Ancillary Products:

- Echo is an ideal complement to the Economy clamp tray and mouse tray
- Compatible with most Knape & Vogt Waterloo keyboard trays
- Use with Knape & Vogt Waterloo CPU holders
- For flat panel displays, specify the Concerto flat panel support system



Model	Height Range	Tilt	Length	Travel	Track Size	Track Style	Weight
5733M17	+1.0" / -5.0"	-15° / +15°	14.5"	12.0"	17.0"	plastic glide	8.0 lbs
5733M21	+1.0" / -5.0"	-15° / +15°	14.5"	16.75"	21.75"	plastic glide	8.3 lbs



Finish: Black wrinkle paint
Code Compliance: Exceeds ANSI/BIFMA standards

Notes: 1. Weight = packaged shipping weight per unit. 2. Specifications are subject to change without notice.



2700 Oak Industrial Dr. NE
 Grand Rapids, MI 49505-6026 USA
 1.800.253.1561 | 616.459.3311
 Fax: 877.636.3290
www.kv.com

This and other KV literature is available for download at www.kv.com > Resource Library

Knape & Vogt reserves the right to change product specifications at any time without notice and without incurring responsibility for existing units.
 ©2016 Knape & Vogt. KV and the KV logo are trademarks of Knape & Vogt.