

## Closet Rods

Extendable up to 144"  
Steel Construction



White (WH)

Zinc (ZC)

29201 ANO  
Center Hanger Support for Closet Rods

## KV2 Adjustable Closet Rods

**Applications** An adjustable length closet rod with end flanges fixed to rod, for use in any closet setting.

**Load Rating** Varies per size\*

**Mounting** Wall or Cabinet

**Material** Steel

**Finishes** White (WH) and Zinc (ZC): Long-lasting, corrosion resistant finish

**Features**

- Center Hanger Support (29201 ANO) provided for rods fully extended to 72"–144" in length
- Dimensions: 1-1/2" deep x 2-19/32" high x selected length
- Available from open stock

\*Contact KV Customer Service for more information

### KV2 Extension Closet Rods

**Standard Pack** (10 per carton up to 60-96", 5 per carton for 72-120" and above)

Size	White (WH)	Zinc (ZC)
18-30"	KV2 WH 18	KV2 ZC 18
30-48"	KV2 WH 30	KV2 ZC 30
48-72"	KV2 WH 48	KV2 ZC 48
60-96"	KV2 WH 60	KV2 ZC 60
72-120"	–	KV2 ZC 72
96-144"	–	KV2 ZC 96

**Builders Pack (BP)** (20 per carton)

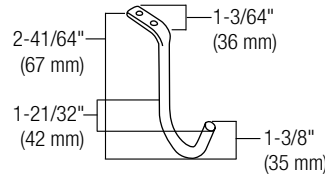
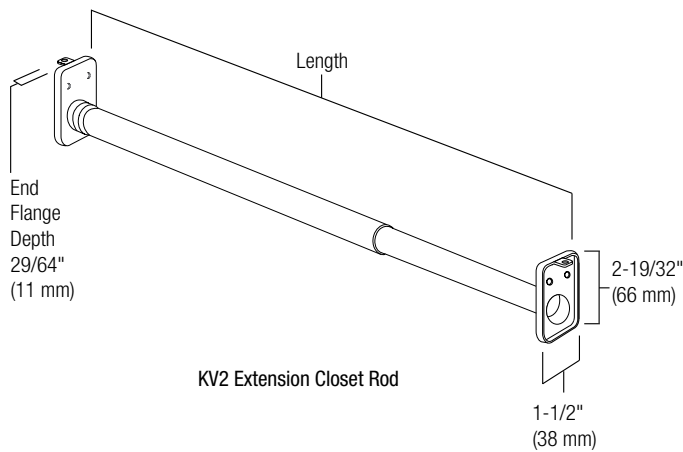
Size	Zinc (ZC)
18-30"	KV2BP ZC 18
30-48"	KV2BP ZC 30

### 29201 Center Hanger Support

**Standard Pack** (12 per carton)

Anochrome (ANO)
29201 ANO

# KV2 Adjustable Closet Rods



29201 ANO  
Center Hanger Support for Closet Rods

## 1. Product Name

**KV2 Adjustable Closet Rod.** An extendable closet rod with end flanges fixed to rod, for use in any closet type setting.

## 2. Manufacturer

Knap & Vogt® Manufacturing Company  
2700 Oak Industrial Dr. NE, Grand Rapids, MI USA 49505-6026  
616.459.3311 | [www.kv.com](http://www.kv.com)

## 3. Product Description

**Basic Use:** KV2 Adjustable Closet Rods are manufactured with end flanges fixed to rod for quick installation and are perfect for any type closet setting. A Center Hanger Support (29201 ANO) is recommended for closet rods fully extended to 96" to 144" in length.

**Composition and Materials:** Steel

**Sizes:** 1-1/16"

**Lengths:** 18-30", 30-48", 48-60", 60-96", 72-120", 96-144" (Some lengths may be available in some finishes).

**Finishes:** Anochrome (ANO) or White (WH). (Some finishes may not be available in some lengths).

## 4. Technical Data

**Applicable Standards:** KV2 Adjustable Closet Rods are tested to meet or exceed ANSI performance standards as established by BHMA.

These load limits are intended to be used as general guidelines only, and no warranty—expressed or implied—is made by Knap & Vogt.

Results were obtained by laboratory testing in accordance with ANSI/BHMA A156.9-2003 performance standard. Actual use conditions will typically result in lower load capacity than laboratory conditions.

Representative testing in a fully configured application is the only way to assure proper performance, durability, and safety. Contact KV for verification testing service of your specific application.

### Environmental Considerations:

**Environment:** Excessive humidity, salts, or other chemical agents can corrode the finish and attack metal or plastic components.

**Fastening:** Inadequate or incorrect fasteners can result in the adjustable closet rods pulling loose and causing damage.

**Alignment:** Improper closet rod alignment can result in a shelving system that is ineffective and unsafe.

## 5. Installation

For maximum loading capacity, closet rods should be mounted into studs or a solid frame. Mark installation locations of flanges and secure them to studs or solid frame. Always install additional supports in center of application if closet rod is longer than 5 feet, or 32" intervals into wall studs if longer than 5 feet.

## 6. Availability and Cost

**Availability:** Knap & Vogt (KV) products are available from stocking distributors and through KV Representatives worldwide.

**Cost:** Current pricing is available from area KV Representatives. Please call for the nearest representative at: 1.800.253.1561.

## 7. Warranty

**Limited Lifetime Warranty:** Knap & Vogt offers its standard Limited Lifetime Warranty to the initial purchaser of commercial products. This warranty covers defects in materials and workmanship which occur during normal use, and the remedy is limited to repair or replacement of defective products, at KV's option. Certain types of defects and damage are excluded from warranty coverage, costs and expenses are not covered, and additional restrictions apply. A copy of the Limited Lifetime Warranty, with all warranty details, limitations and disclaimers, is available on the Customer Care Connection location at [www.kv.com](http://www.kv.com) or from KV Customer Service, 2700 Oak Industrial Drive, Grand Rapids, MI 49505, 1.800.253.1561.

## 8. Maintenance

KV2 Extension Closet Rods require no maintenance. Inspect for proper fit periodically and adjust when necessary. Replace as required or recommended by application.

## 9. Technical Services

Knap & Vogt and area representatives can assist with any application. For further information, or for the name of the representative nearest you, please call Knap & Vogt Customer Service: 1.800.253.1561 or visit our website at: [www.kv.com](http://www.kv.com).

## 10. Filing Systems

Additional product information, data sheets, application sheets, and a full catalog are available upon request from Knap & Vogt.



**KNAP & VOGT**

2700 Oak Industrial Dr. NE  
Grand Rapids, MI 49505-6026 USA  
1.800.253.1561 | 616.459.3311  
Fax: 877.636.3290  
[www.kv.com](http://www.kv.com)

**BHMA** Knap & Vogt shelving products follow the ANSI testing standards established by BHMA.

*This and other KV literature is available for download at [www.kv.com](http://www.kv.com) > Resource Library*  
*Knap & Vogt reserves the right to change product specifications at any time without notice and without incurring responsibility for existing units. This information conforms to editorial style prescribed by The Construction Specifications Institute.*  
©2016 Knap & Vogt. KV and the KV logo are trademarks of Knap & Vogt.

OL2229/1016