

## Medium-Duty

100 lb. Load Class

1/2" Side Clearance

Max. Drawer Width: 24"



TT100



# TT100 Full Extension Ball-Bearing Drawer Slide

Designed to meet the needs of today's value-conscious professional, the KV Tru-Trac® Slide offers performance and economy backed by proven Knappe & Vogt quality, reliability and service. The KV Tru-Trac® TT100 is the smart choice in an import slide built for economy: a medium-duty, ball-bearing slide, meeting industry test standards with smooth ball-bearing operation and no-rebound.

## Applications

- Wood residential and commercial furniture
- Architectural, laboratory and school casework
- Store fixtures and displays
- Storage drawers

## Specifications

**Model:** TT100 Full Extension Ball-Bearing Drawer Slide

**Mounting:** Side mounting for face framed and frameless construction

**Disconnect:** Lever

**Hole Pattern:** 32mm and Traditional

**Type:** Ball-Bearing

**Travel:** Full Extension

**Finish:** Zinc (ZC)

**Length:** 250mm, 300mm, 350mm, 400mm, 450mm,  
500mm, 550mm, 600mm, 650mm, 700mm

**Clearance:** .50" + .03"-0" on each side

**Height:** 1.79" [45mm]

**Packaging:** Bulk Pack (B) - 10 sets per carton

Member Pack (T) - 10 sets per carton

*Carton contains separated cabinet and drawer members*

*Available in lengths of 450mm, 500mm and 550mm*

**Action:** Telescopic movement on ball-bearings

**Slide Configuration:** Unhanded

## Rating

**Load:** 100 lb.

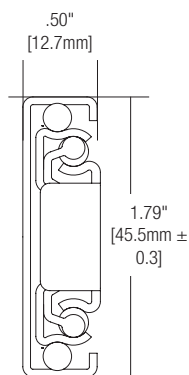
**Max. Recommended Drawer Width:** 24"

As with all Knappe & Vogt drawer slides, the TT100 is designed to meet KCMA and BHMA test standards

## Warranty

One Year Limited Warranty

### Profile



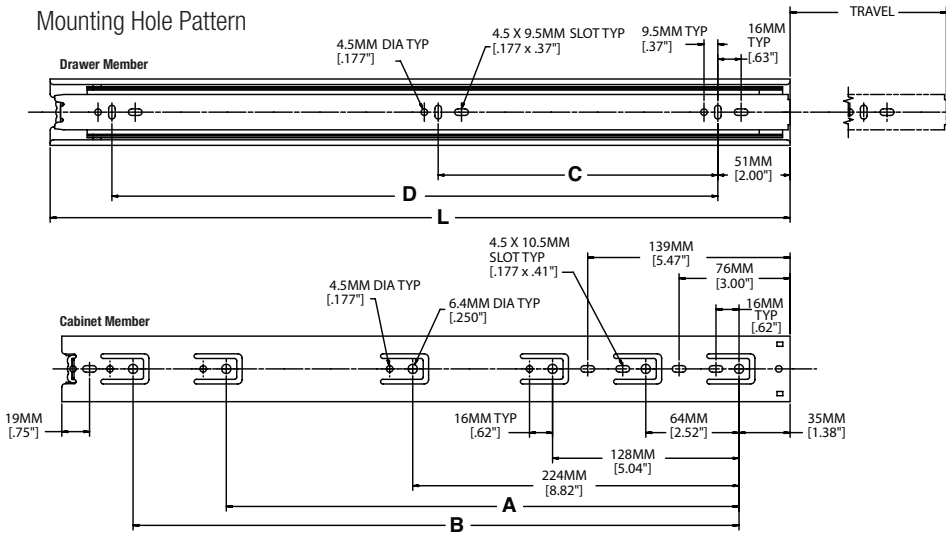
### Clearance

1/2" + 1/32"-0"  
.50" + .03"- 0"  
12.7mm + .8mm - 0mm



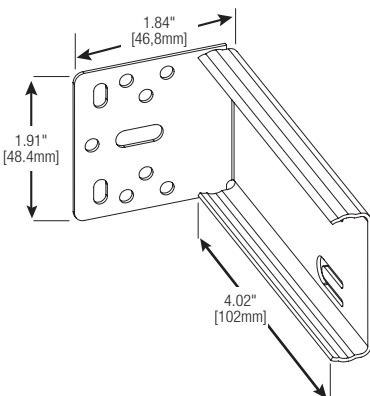
2700 Oak Industrial Dr. NE  
Grand Rapids, MI 49505  
www.kv.com | 1.800.253.1561

# Charted Information



Number	Slide Size mm/inch	Length mm/inch	Sets per Pallet*	Travel mm/inch	A mm/inch	B mm/inch	C mm/inch	D mm/inch
TT100B 250	250mm [10"]	250mm [9.84"]	960	250mm [9.84"]	—	—	—	—
TT100B 300	300mm [12"]	300mm [11.81"]	850	300mm [11.81"]	224mm [8.82"]	—	—	—
TT100B 350	350mm [14"]	350mm [13.78"]	700	350mm [13.78"]	—	—	128mm [5.04"]	256mm [10.08"]
TT100B 400	400mm [16"]	400mm [15.75"]	560	400mm [15.75"]	288mm [11.34"]	—	160mm [6.30"]	320mm [12.60"]
TT100B 450	450mm [18"]	450mm [17.72"]	550	450mm [17.72"]	352mm [13.86"]	—	160mm [6.30"]	352mm [13.86"]
TT100B 500	500mm [20"]	500mm [19.69"]	440	500mm [19.69"]	352mm [13.86"]	416mm [16.38"]	192mm [7.56"]	416mm [16.38"]
TT100B 550	550mm [22"]	550mm [21.65"]	400	550mm [21.65"]	352mm [13.86"]	416mm [16.38"]	224mm [8.82"]	448mm [17.64"]
TT100B 600	600mm [24"]	600mm [23.62"]	400	600mm [23.62"]	224mm [8.82"]	352mm [13.86"]	480mm [18.90"]	256mm [10.08"]
TT100B 650	650mm [26"]	650mm [25.29"]	400	650mm [25.29"]	224mm [8.82"]	352mm [13.86"]	544mm [21.42"]	288mm [11.34"]
TT100B 700	700mm [28"]	700mm [27.56"]	300	700mm [27.56"]	224mm [8.82"]	352mm [13.86"]	544mm [21.42"]	288mm [11.34"]

\*Full container quantities available.



- SKU**     **Carton Quantity**
- TT401A     200 (10 Inner Boxes of 20 Brackets)  
Pallet Qty: 7,200 each
  - TT401B     200 (200 Loose Brackets)  
Pallet Qty: 7,200 each
- Rear Mounting Bracket (sold separately)*

PRODUCT LITERATURE AVAILABLE AT  
[WWW.KV.COM](http://WWW.KV.COM) >> RESOURCE LIBRARY

© 2025 KNAPE & VOGT

KV, KV Tru-Trac, KV and their respective logos are trademarks of Knappe & Vogt.

Distributed by Knappe & Vogt Manufacturing Company. Knappe & Vogt reserves the right to change product specifications at any time without notice and without incurring responsibility for existing units.



2700 Oak Industrial Dr. NE  
Grand Rapids, MI 49505  
[www.kv.com](http://www.kv.com) | 1.800.253.1561

OL2159/0125