

Medium-Duty

100 lb. Load Class

1/2" Side Clearance

Max. Drawer Width: 24"



8414 Full Extension Hold-Out Drawer Slide

The 8414 Full Extension Hold-Out Drawer Slide is designed to be used in pull-out work surfaces such as keyboard trays, computer equipment, auxiliary writing surfaces. The hold-out feature allows the slide to stay in place when fully opened, and allows for convenient storage in the closed position.

Applications

- Wood residential and commercial furniture
- Pull-Out work surfaces
- Work stations

Specifications

Model: 8414 Full Extension Hold-Out Drawer Slide

Mounting: Side

Disconnect: Lever Release

Hole Pattern: 32mm and Traditional

Face Frame Mounting: Yes

Type: Ball-Bearing

Travel: Full Extension

Finish: Anochrome

Length: 10", 12", 14", 16", 18", 20", 22", 24"

Clearance: .50" + .03"-0" on each side

Height: 1.79" [45.5mm]

Packaging: Bulk Pack (8414B): all sizes - 10 pair per carton

Poly Pack (8414P): all sizes - 10 pair per carton

Action: Telescopic

Slide Configuration: Unhanded

Rating

Load: 100 lb.

Max. Drawer Width: 24"

As with all Knap & Vogt drawer slides, the 8414 is designed to meet or exceed ANSI performance standards as established by BIFMA, BHMA and KCMA.

Accessories

8401: Rear Mounting Bracket

8402: Rear Mounting Bracket

8404: Front Face Frame Bracket

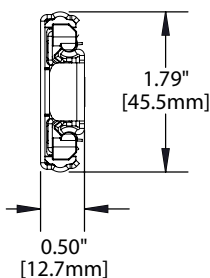
Hardware

#7 x 1/2" Phillips Pan Head

Warranty

Limited Lifetime Warranty

Profile



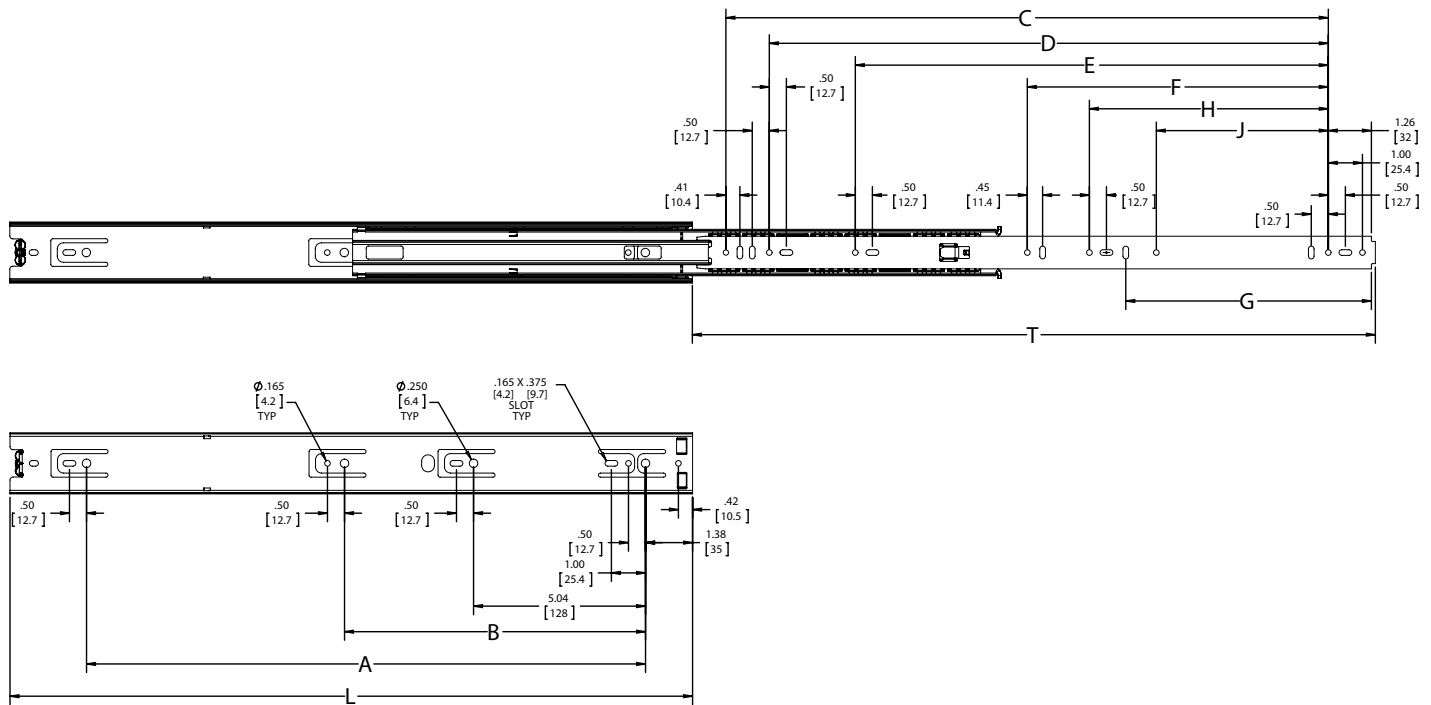
Clearance

1/2" + 1/32"-0"

.50" + .03"- 0"

12.7mm + .8mm - 0mm

Charted Information



SKU Number*	Slide Size inch/mm	Length inch/mm	Travel inch/mm	A inch/mm	B inch/mm	C inch/mm	D inch/mm	E inch/mm	F inch/mm	G Inch/mm	H Inch/mm	J Inch/mm
8414B 10	10" [250mm]	10" [254mm]	10" [254mm]	-	-	9.03" [229.4mm]	-	-	-	-	-	-
8414B 12	12" [300mm]	12.00" [305mm]	12.00" [305mm]	-	8.82" [224mm]	-	8.82" [224mm]	-	-	-	-	-
8414B 14	14" [350mm]	14.00" [356mm]	14.00" [356mm]	-	8.82" [224mm]	13.03" [331mm]	8.82" [224mm]	-	-	7.08" [179.8mm]	-	5.04" [128mm]
8414B 16	16" [400mm]	16.00" [406mm]	16.00" [406mm]	12.60" [320mm]	8.82" [224mm]	-	12.60" [320mm]	-	-	7.08" [179.8mm]	-	5.04" [128mm]
8414B 18	18" [450mm]	18.00" [457mm]	18.00" [457mm]	13.86" [352mm]	8.82" [224mm]	17.03" [432.6mm]	13.86" [352mm]	-	7.82" [198.6mm]	7.08" [179.8mm]	-	5.04" [128mm]
8414B 20	20" [500mm]	20.00" [508mm]	20.00" [508mm]	16.38" [416mm]	8.82" [224mm]	19.03" [483.4mm]	16.38" [416mm]	13.86" [352mm]	8.82" [225mm]	7.08" [179.8mm]	-	5.04" [128mm]
8414B 22	22" [550mm]	22.00" [559mm]	22.00" [559mm]	18.90" [480mm]	8.82" [224mm]	-	18.90" [480mm]	13.86" [352mm]	-	7.08" [179.8mm]	8.82" [225mm]	5.04" [128mm]
8414B 24	24" [600mm]	24.00" [610mm]	24.00" [610mm]	18.90" [480mm]	8.82" [224mm]	23.03" [585mm]	18.90" [480mm]	16.38" [416mm]	-	7.08" [179.8mm]	8.82" [225mm]	5.04" [128mm]

*Also available in Poly Pack (eg, 8414P 10, etc.)



KNAPE & VOGT.

2700 Oak Industrial Dr. NE
Grand Rapids, MI 49505-6026 USA
1.800.253.1561 | 616.459.3311
Fax: 877.636.3290
www.kv.com

Knap & Vogt reserves the right to change product specifications at any time without notice and without incurring responsibility for existing units.

©2019 Knap & Vogt. KV and the KV logo are trademarks of Knap & Vogt.

0L1916/1119