

Figure - 1

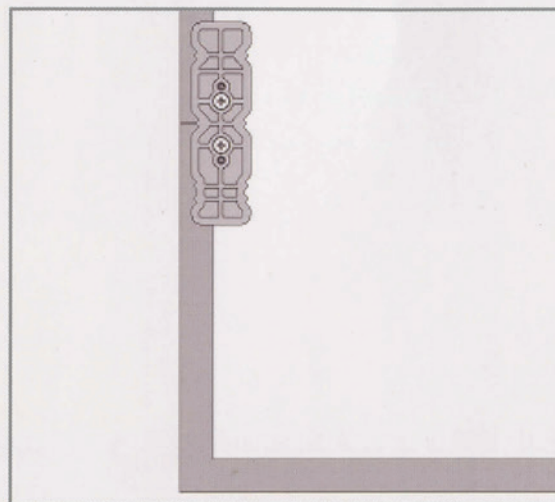


Figure - 2

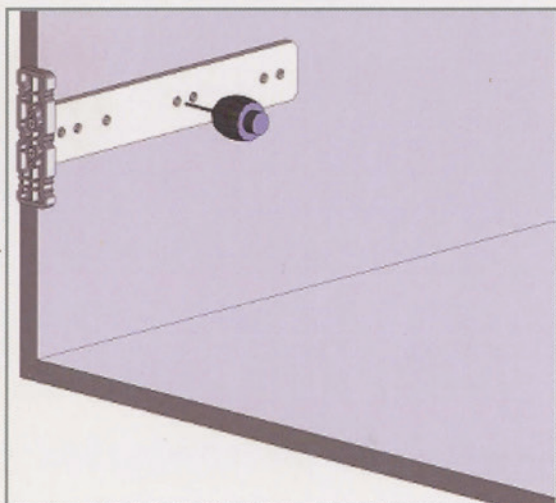


Figure - 3

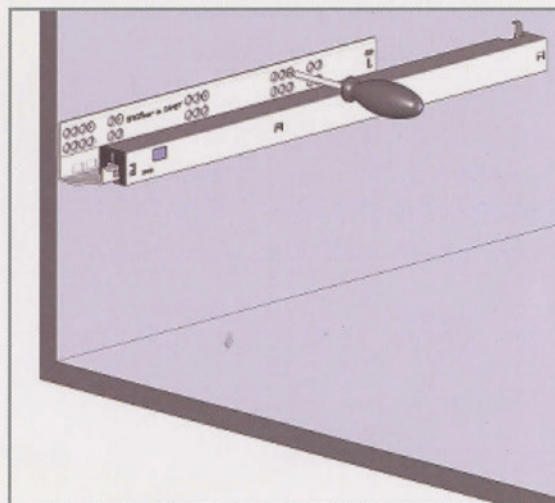


Figure - 4

- Mark the slide's screwing axis on the cabinet. (See. Figure-1)
- Align the axis of drilling jig with this line. (See. Figure-2)
- Place the drilling jig correctly into the leading edge and inner hand wall. Then drill the screwing holes with  $\varnothing 2$  mm. drill. (See. Figure-3)