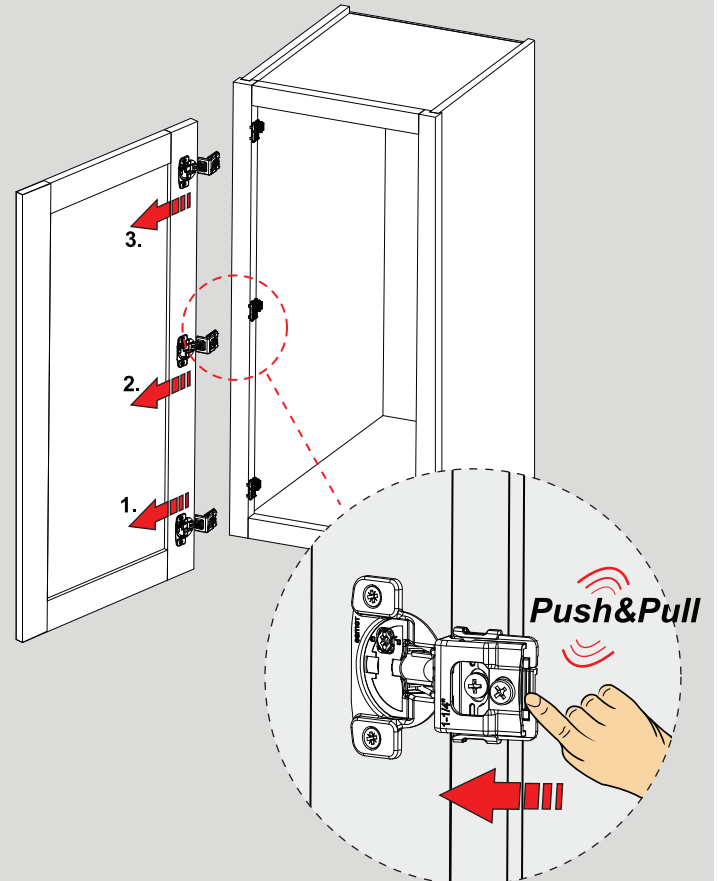
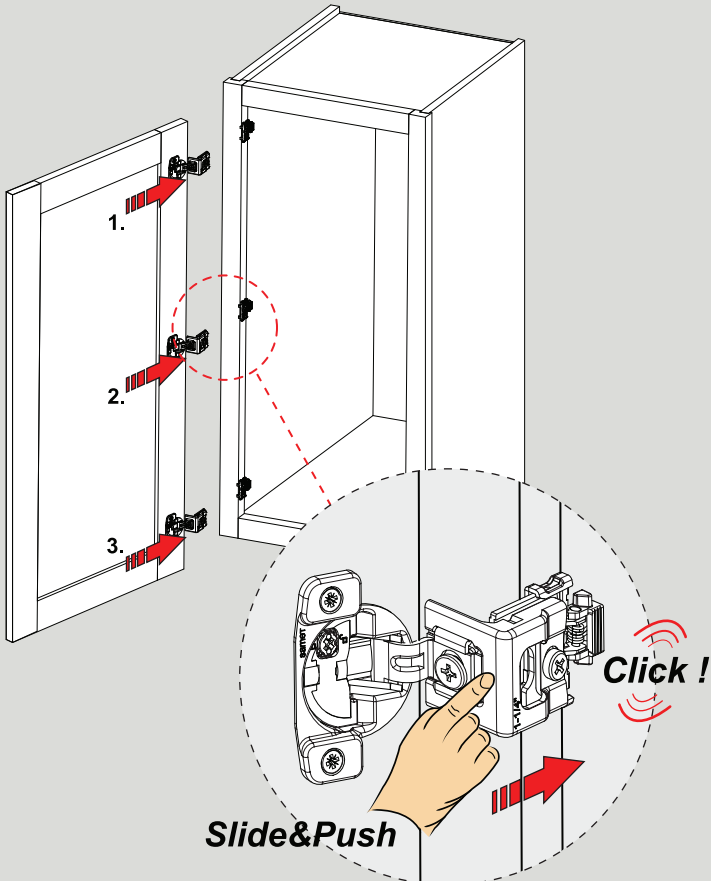
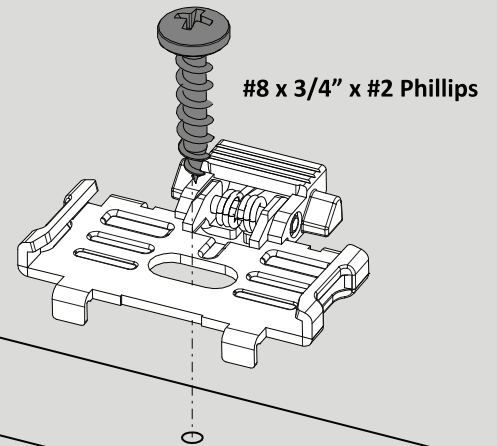
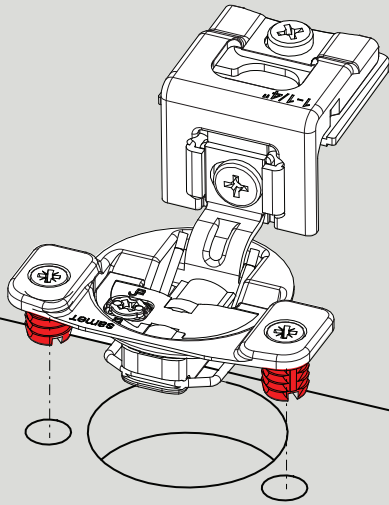
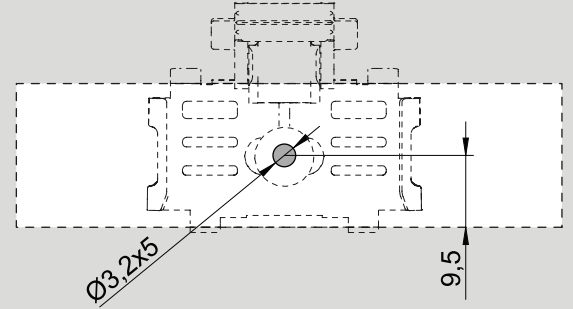
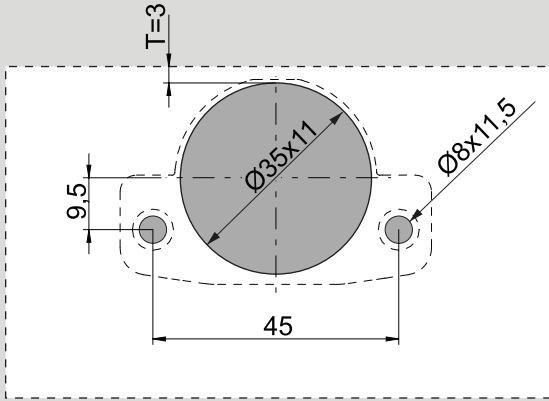
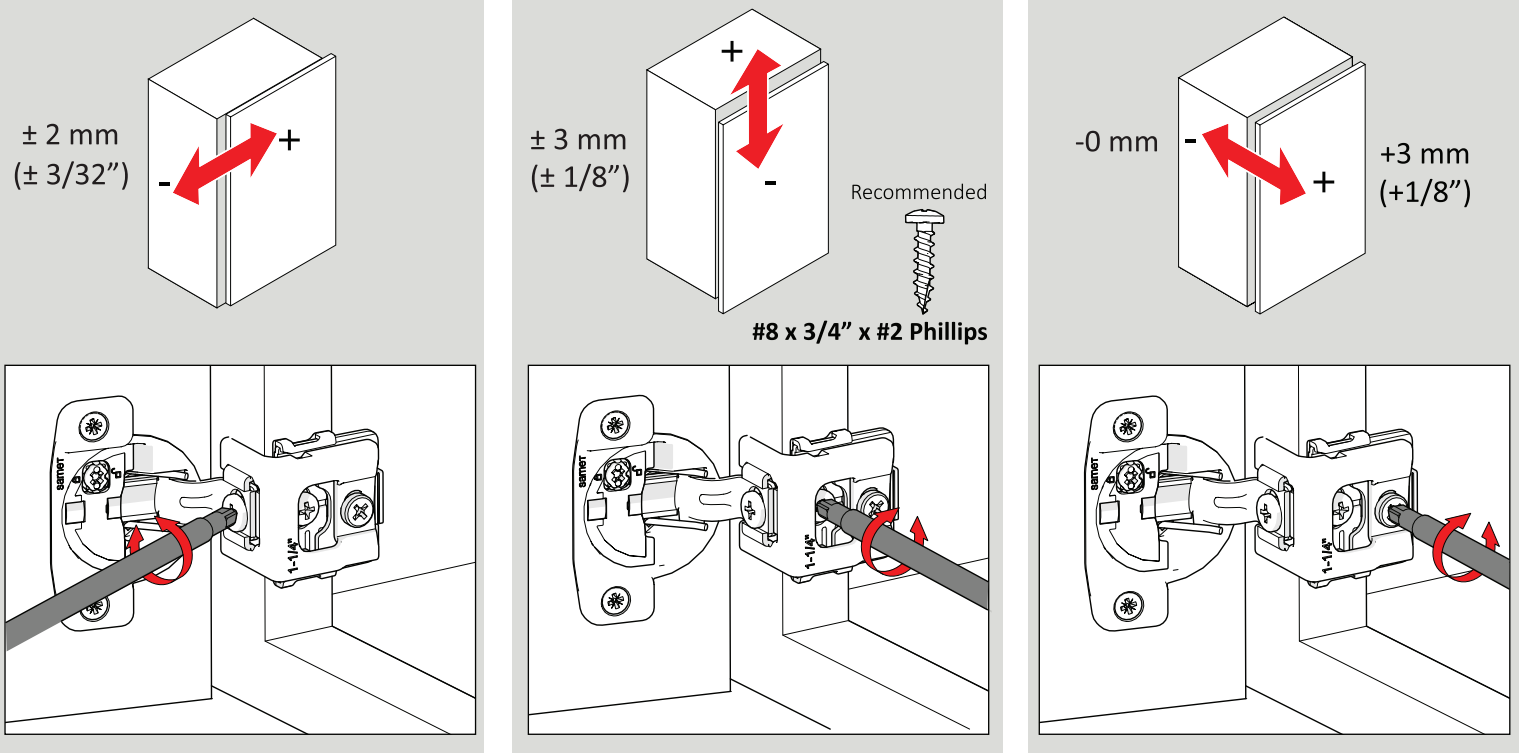


Technical Dimensions & Mounting



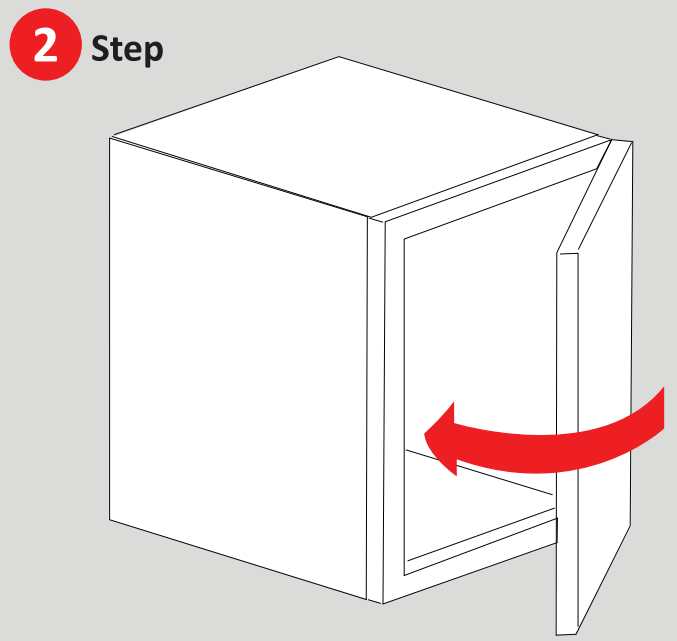
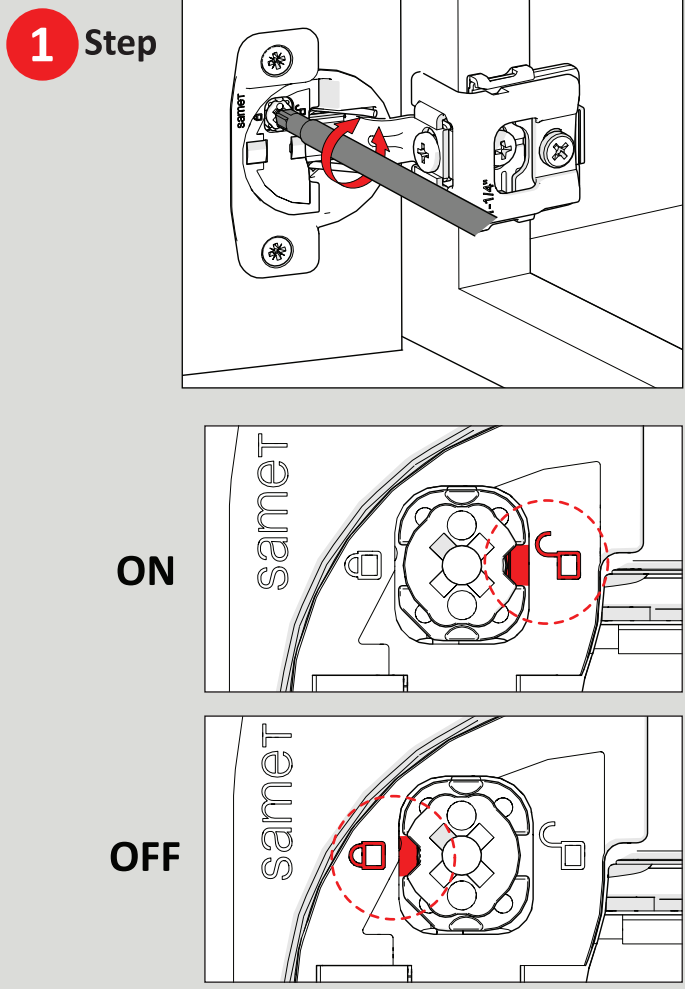
Adjustments



Side Adjustment
Achievable Through Cam
Adjustment

Height Adjustment
Loosen Screw, Align Door,
Tighten Screw

Depth Adjustment
Achievable Through Cam
Adjustment



Door Soft Close Deactivation
Door must be closed once for the
deactivation to be complete