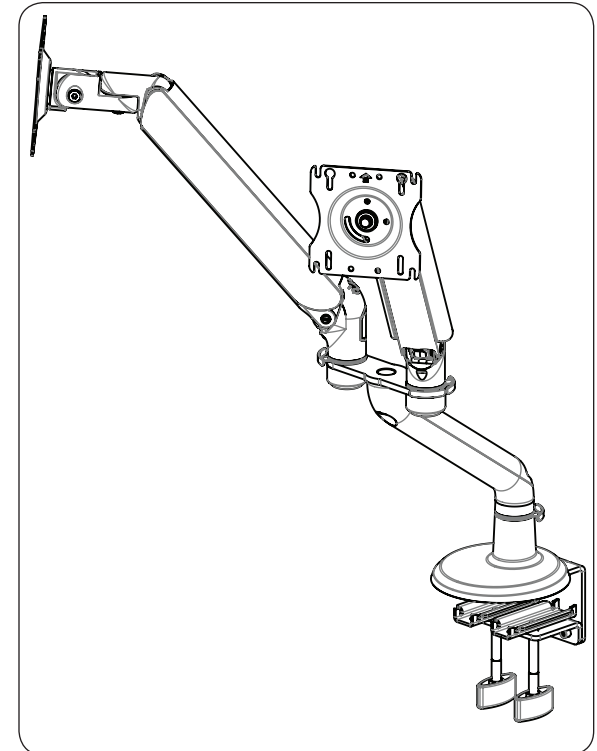


# Tempo Dual Hub™ Dual Monitor Arm

- Market Need – To provide independent arm adjustment in a dual monitor support with a weight capacity of 5 lbs. to 20 lbs. per screen
- Design Challenges – Supporting a wider range of monitor weights and sizes, with improved styling, range of motion and silky smooth operation
- Solution – A dual monitor support with two independent height adjustable segments to allow positioning the screens front and back, top and bottom or side to side.  
Design includes:

- Adjustable counterbalance with gauge for fingertip control
- Rotation limiter to prevent impact with back panels
- Monitor mounting bracket with Quick Connect adaptor
- Aluminum die cast and steel construction exceeds ANSI/BIFMA testing requirements
- Includes tools and mounting hardware
- Clamp and grommet mount options
- Available in Silver/Gray, Black/Black and White/Gray finishes



- -90° to +45° tilt ideal for touchscreens
- 360° portrait to landscape viewing
- 14 1/2" of height adjustment
- 75mm and 100mm VESA hole patterns
- Screens can be lowered all the way down to the work surface for users of bifocal glasses