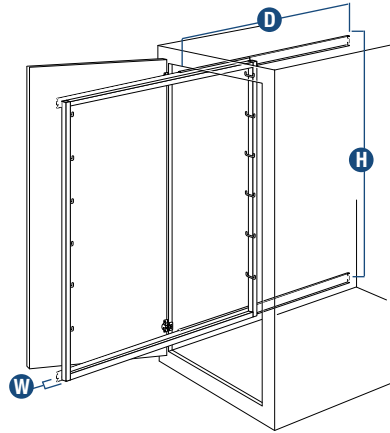




## Base Cabinet Organizer

- Features six vertical Side-Mount Basket positions (BC020E-W has two vertical basket positions. Side-Mount Baskets sold separately on page 55.)
- Basket height can be varied in 3-3/4" increments
- 75 lb. class rated, bi-directional slides are non-handed



**Side-Mount Baskets**  
(Sold separately. See pg. 55.)

**Base Cabinet Organizer**  
(BC02456-W shown)

See page 63 for recommended cabinet dimensions and clearances.

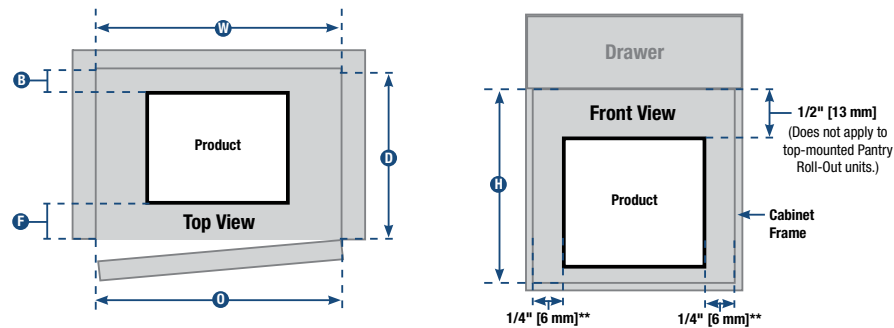
Stock #	Sliding Assembly Width <b>S</b>	Assembled Product Dimensions			Finish	Units per Carton	Weight per Carton
		Width <b>W</b>	Height <b>H</b>	Depth <b>D</b>			
<b>BASE CABINET ORGANIZER</b>							
BC020E-W	**	1-1/2" [38 mm]	21-3/16" [538 mm]	21-11/16" [551 mm]	White	1	6.1 lbs. [2.8 kg.]
BC02456-W	***	1-3/8" [35 mm]	25" [635 mm]	22" [559 mm]	White	1	5.8 lbs. [2.6 kg.]

\*\* Total sliding assembly width is equal to total width of Side-Mount Basket application plus 15/16" [24 mm].

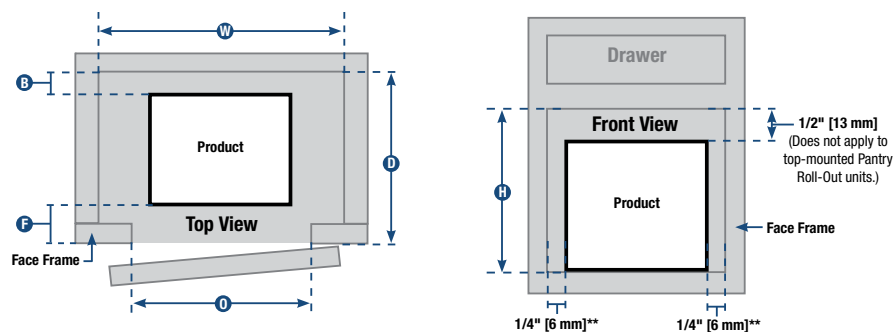
\*\*\* Total sliding assembly width is equal to total width of Side-Mount Basket application plus 1-3/8" [35 mm].

P5050FE-W	*	*	52" [1320 mm]	22-1/4" [565 mm]	-	-
P5450FE-W	*	*	56" [1422 mm]	22-1/4" [565 mm]	-	-
P6500FE-W	*	*	66-1/2" [1689 mm]	22-1/4" [565 mm]	-	-
P4250FE-FN	*	*	44" [1117 mm]	22-1/4" [565 mm]	-	-
P4650FE-FN	*	*	48" [1219 mm]	22-1/4" [565 mm]	-	-
P5450FE-FN	*	*	56" [1422 mm]	22-1/4" [565 mm]	-	-
<b>Base Cabinet Organizer</b>						
BC020E-W	*	*	21-11/16" [551 mm]	22-3/16" [564 mm]	1/4" [6 mm]	1/4" [6 mm]
BC02456-W	*	*	25-1/2" [648 mm]	22-1/2" [572 mm]	1/4" [6 mm]	1/4" [6 mm]
<b>Base Roll-Out</b>						
B1700-W	*	*	19-3/4" [502 mm]	22-3/16" [564 mm]	1/4" [6 mm]	1/4" [6 mm]
<b>Multi-Use Baskets</b>						
GUSB11-FN	12" [305 mm]	12-5/8" [321 mm]	15-15/16" [405 mm]	19-1/4" [489 mm]	1/4" [6 mm]	1/4" [6 mm]
GUSB14-FN	15" [381 mm]	15-5/8" [397 mm]	15-15/16" [405 mm]	19-1/4" [489 mm]	1/4" [6 mm]	1/4" [6 mm]
USB11-W	12" [305 mm]	12-5/8" [321 mm]	16" [406 mm]	19-1/4" [489 mm]	1/4" [6 mm]	1/4" [6 mm]
USB14-W	15" [381 mm]	15-5/8" [397 mm]	16" [406 mm]	19-1/4" [489 mm]	1/4" [6 mm]	1/4" [6 mm]
USB11TM-W	12" [305 mm]	12-5/8" [321 mm]	9-13/16" [249 mm]	19-5/8" [498 mm]	1/4" [6 mm]	1/4" [6 mm]
USB14TM-W	15" [381 mm]	15-5/8" [397 mm]	9-13/16" [249 mm]	19-5/8" [498 mm]	1/4" [6 mm]	1/4" [6 mm]
MUB11-FN	11-1/2" [292 mm]	12" [305 mm]	5-11/16" [144 mm]	20-1/4" [514 mm]	1/4" [6 mm]	1/4" [6 mm]
MUB14-FN	14-1/2" [368 mm]	15" [381 mm]	5-11/16" [144 mm]	20-1/4" [514 mm]	1/4" [6 mm]	1/4" [6 mm]
MUB17-FN	17-1/2" [444 mm]	18" [457 mm]	5-11/16" [144 mm]	20-1/4" [514 mm]	1/4" [6 mm]	1/4" [6 mm]
MU11-W	12" [305 mm]	12-5/8" [321 mm]	5-11/16" [144 mm]	19-1/4" [489 mm]	1/4" [6 mm]	1/4" [6 mm]
MU14-W	15" [381 mm]	15-5/8" [397 mm]	5-11/16" [144 mm]	19-1/4" [489 mm]	1/4" [6 mm]	1/4" [6 mm]
<b>Tray Divider Roll-Outs</b>						
TDR06-W	6" [152 mm]	6-1/2" [165 mm]	20" [508 mm]	22-1/2" [572 mm]	1/4" [6 mm]	1/4" [6 mm]
TDR09-W	9" [229 mm]	9-1/2" [241 mm]	20" [508 mm]	22-1/2" [572 mm]	1/4" [6 mm]	1/4" [6 mm]

**Example of Frameless / Euro-Style Cabinet Application**



**Example of Face Frame Cabinet Application**



\* Minimum Cabinet Opening Width AND Minimum Cabinet Interior Width equals total width of completely assembled unit with all baskets applied, plus 1/2" clearance per side (1" total clearance for center-mounted units, 1/2" side clearance for side-mounted units). Dimensions shown are recommended minimum cabinet dimensions and clearances.

\*\* Slide-out Base Blind Corner Units and Base Cabinet Organizers require 1/2" side clearance on one side, not both.