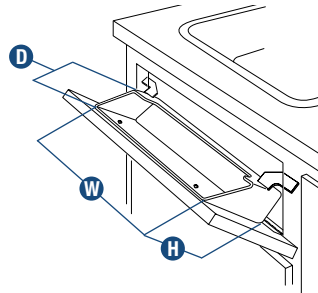




Polymer Sink Front Trays (with stops)

- Designed for use with standard self-closing hinges (not included) used on most cabinetry
- For use with face frame or frameless (Euro-Style) cabinetry
- Built-in stops prevent items from tipping out



**Polymer Sink Front Tray
with Stops**

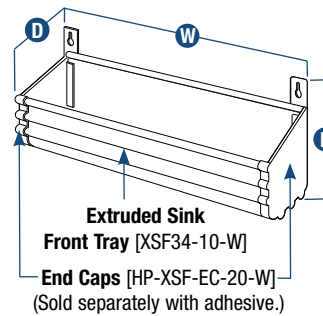


PSF14W-A



Extruded Sink Front Trays

- Extruded Sink Front Tray (cut-to-fit 34" or 72" widths)
- For face frame or frameless (Euro-Style) cabinetry
- Use with Scissor or Euro-Tray Hinges (see page 44)
- Easy-to-clean, durable white PVC

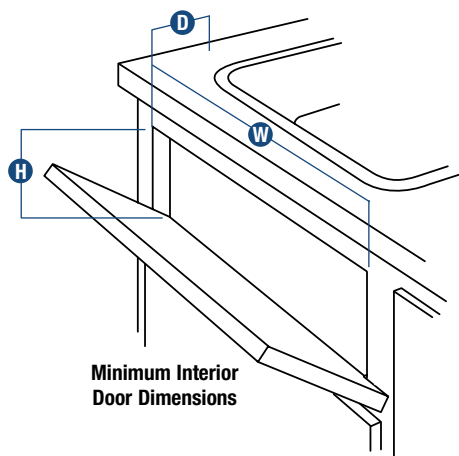


**Extruded Sink
Front Tray [XSF34-10-W]
End Caps [HP-XSF-EC-20-W]
(Sold separately with adhesive.)**

Stock #	Height H	Width W	Depth D	Finish	Units per Carton	Weight per Carton
POLYMER SINK FRONT TRAY WITH STOPS*						
PSF11W-W	3" [76 mm]	12-3/8" [314 mm]	2-3/4" [70 mm]	White	10	3.3 lbs. [1.5 kg.]
PSF14W-W	3" [76 mm]	15-3/8" [391 mm]	2-3/4" [70 mm]	White	10	3.6 lbs. [1.6 kg.]
PSF14W-A	3" [76 mm]	15-3/8" [391 mm]	2-3/4" [70 mm]	Almond	10	3.6 lbs. [1.6 kg.]
EXTRUDED SINK FRONT TRAYS						
XSF34-10-W	4" [102 mm]	33-3/4" [857 mm]	2-1/8" [60 mm]	White	10	6.9 lbs. [3.1 kg.]
XSF72-10-W	4" [102 mm]	72" [1,829 mm]	2-1/8" [60 mm]	White	10	15.7 lbs. [7.1 kg.]
HP-XSF-EC-20-W	4" [102 mm]	3/4" [19 mm]	2-3/8" [60 mm]	White	20 pairs	2.2 lbs. [1 kg.]

* Tray uses two - #8 x 1/2 screws (not included).

Cabinet Dimensions



Stock #	Height H	Width W	Depth D
POLYMER SINK FRONT TRAYS & HINGE KITS (dimensions include hinge kits)			
PSF8.62SH-2-A	3-1/2" [89 mm]	10-1/8" [257 mm]	2-1/2" [64 mm]
PSF8.62SH-2-W	3-1/2" [89 mm]	10-1/8" [257 mm]	2-1/2" [64 mm]
PSF11-PF-SH-2-A	3-1/2" [89 mm]	12-1/2" [318 mm]	2-1/8" [54 mm]
PSF11-PF-SH-2-W	3-1/2" [89 mm]	12-1/2" [318 mm]	2-1/8" [54 mm]
PSF11SH-2-A	3-1/2" [89 mm]	12-1/2" [318 mm]	2-1/2" [64 mm]
PSF11SH-2-W	3-1/2" [89 mm]	12-1/2" [318 mm]	2-1/2" [64 mm]
PSF14-PF-SH-2-A	3-1/2" [89 mm]	15-1/2" [394 mm]	2-1/8" [54 mm]
PSF14-PF-SH-2-W	3-1/2" [89 mm]	15-1/2" [394 mm]	2-1/8" [54 mm]
PSF14SH-2-A	3-1/2" [89 mm]	15-1/2" [394 mm]	2-1/2" [64 mm]
PSF14SH-2-W	3-1/2" [89 mm]	15-1/2" [394 mm]	2-1/2" [64 mm]
POLYMER SINK FRONT TRAYS (with stops)			
PSF11W-W	3-1/2" [89 mm]	11-1/2" [292 mm]	3-1/4" [83 mm]
PSF14W-A	3-1/2" [89 mm]	14-1/2" [368 mm]	3-1/4" [83 mm]
PSF14W-W	3-1/2" [89 mm]	14-1/2" [368 mm]	3-1/4" [83 mm]
SCISSOR HINGES			
SH-1-S/P	4-1/16" [103 mm]	3-1/8" [79 mm]	2-3/8" [60 mm]
SH-10	4-1/16" [103 mm]	3-1/8" [79 mm]	2-3/8" [60 mm]
SH-40	4-1/16" [103 mm]	3-1/8" [79 mm]	2-3/8" [60 mm]
EURO-TRAY HINGES			
ET-H-N	3-1/8" [79 mm]	4" [102 mm]	2-3/4" [70 mm]

Stock #	Height H	Width W (with Scissor Hinges)	Width W (with Euro-Tray Hinges)	Depth D
POLYMER SINK FRONT TRAYS				
PSF8.62-A	3-1/2" [89 mm]	10-1/8" [257 mm]	12-7/8" [327 mm]	2-1/2" [64 mm]
PSF8.62-W	3-1/2" [89 mm]	10-1/8" [257 mm]	12-7/8" [327 mm]	2-1/2" [64 mm]
PSF11-A	3-1/2" [89 mm]	12-1/2" [318 mm]	15-1/4" [387 mm]	2-1/2" [64 mm]
PSF11-PF-A	3-1/2" [89 mm]	12-1/2" [318 mm]	15-1/4" [387 mm]	2-1/8" [54 mm]
PSF11-PF-W	3-1/2" [89 mm]	12-1/2" [318 mm]	15-1/4" [387 mm]	2-1/8" [54 mm]
PSF11-W	3-1/2" [89 mm]	12-1/2" [318 mm]	15-1/4" [387 mm]	2-1/2" [64 mm]
PSF11RS-A	3-1/2" [89 mm]	12-1/2" [318 mm]	15-1/4" [387 mm]	2-1/2" [64 mm]
PSF11RS-W	3-1/2" [89 mm]	12-1/2" [318 mm]	15-1/4" [387 mm]	2-1/2" [64 mm]
PSF14-A	3-1/2" [89 mm]	15-1/2" [394 mm]	18-1/4" [464 mm]	2-1/2" [64 mm]
PSF14-PF-A	3-1/2" [89 mm]	15-1/2" [394 mm]	18-1/4" [464 mm]	2-1/8" [54 mm]
PSF14-PF-W	3-1/2" [89 mm]	15-1/2" [394 mm]	18-1/4" [464 mm]	2-1/8" [54 mm]
PSF14-W	3-1/2" [89 mm]	15-1/2" [394 mm]	18-1/4" [464 mm]	2-1/2" [64 mm]
PSF14RS-A	3-1/2" [89 mm]	15-1/2" [394 mm]	18-1/4" [464 mm]	2-1/2" [64 mm]
PSF14RS-W	3-1/2" [89 mm]	15-1/2" [394 mm]	18-1/4" [464 mm]	2-1/2" [64 mm]
PSF2425-A	3-1/2" [89 mm]	25-7/8" [657 mm]	28-5/8" [727 mm]	2-1/2" [64 mm]
PSF2425-W	3-1/2" [89 mm]	25-7/8" [657 mm]	28-5/8" [727 mm]	2-1/2" [64 mm]
PSF3025-A	3-1/2" [89 mm]	31-15/16" [811 mm]	34-11/16" [881 mm]	2-1/2" [64 mm]
PSF3025-W	3-1/2" [89 mm]	31-15/16" [811 mm]	34-11/16" [881 mm]	2-1/2" [64 mm]
EXTRUDED SINK FRONT TRAYS (dimensions include HP-XSF-EC-20-W End Caps)				
XSF34-10-W	4-1/2" [114 mm]	35-1/2" [902 mm]	38-1/4" [972 mm]	2-7/8" [114 mm]
XSF72-10-W	4-1/2" [114 mm]	73-3/4" [1,873 mm]	76-1/2" [1,943 mm]	2-7/8" [114 mm]

Dimensions shown are recommended minimum door opening dimensions.