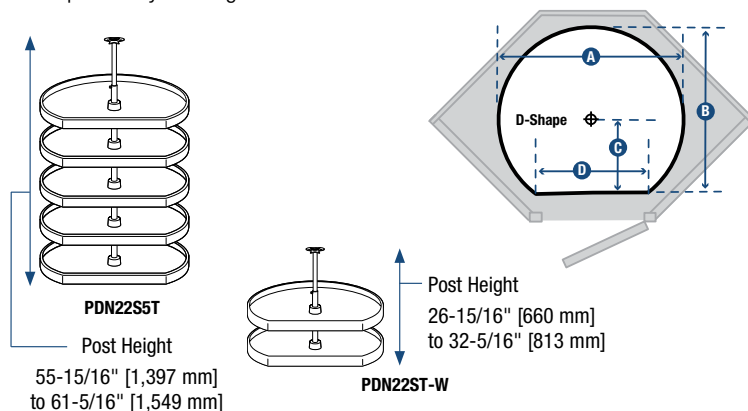




## Polymer D-Shaped Lazy Susans

- Two shelf set for use in upper pantry cabinets
- Five shelf set for use in lower section of tall pantry cabinets or in 24" deep utility cabinets
- Independently rotating shelves

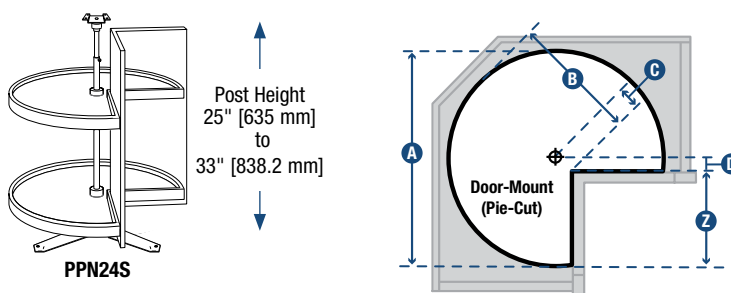


Stock #	Number of Shelves	Assembled Product Dimensions				Finish	Units per Carton	Weight per Carton
		A	B	C	D			
<b>POLYMER D-SHAPED LAZY SUSANS</b>								
PDN22ST-W	2	22" [559 mm]	18-3/16" [462 mm]	7-3/16" [183 mm]	16-11/16" [424 mm]	White	1	9.1 lbs. [4.1 kg.]
PDN22S5T-W	5	22" [559 mm]	18-3/16" [462 mm]	7-3/16" [183 mm]	16-11/16" [424 mm]	White	1	20.7 lbs. [9.4 kg.]



## Polymer Door-Mount Lazy Susans

- Doors attach to Lazy Susan shelves for automatic shelf retrieval



Stock #	Number of Shelves	Assembled Product Dimensions					Finish	Units per Carton	Weight per Carton
		A	B	C	D	Z			
<b>POLYMER DOOR-MOUNT LAZY SUSANS</b>									
PPN24S-W	2	24" [609 mm]	14-1/4" [362 mm]	2-1/4" [57 mm]	1-5/8" [41 mm]	10-3/8" [264 mm]	White	1	10.7 lbs. [4.9 kg.]
PPN28S-W	2	28" [711 mm]	18-1/4" [464 mm]	4-1/4" [108 mm]	3-1/16" [78 mm]	10-15/16" [278 mm]	White	1	13.8 lbs. [6.3 kg.]

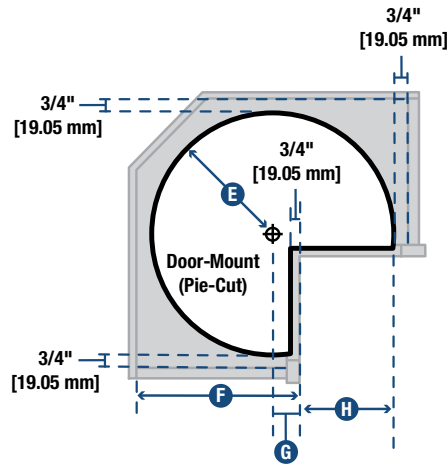
See Page 30 for available Cabinet and Shelf Lip Dimensions for the part numbers on this page.

# Cabinet and Shelf Lip Dimensions

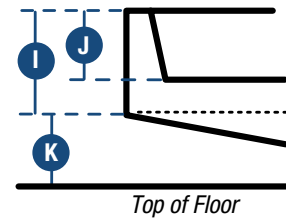
Stock #	E	F	G	H	I	J	K	Mounting
<b>POLYMER Door Mount / Pie-Cut Lazy Susans</b>								
PPN24S-W	12" [305 mm]	15-1/8" [384 mm]	2-3/8" [60 mm]	10" [254 mm]	1-3/4" [44 mm]	1" [25 mm]	1-1/16 – 1-7/8" [27 – 47 mm]	Top/Bottom
PPN28S-W	14" [356 mm]	18-9/16" [471 mm]	3-13/16" [97 mm]	10-1/4" [260 mm]	1-3/4" [44 mm]	1" [25 mm]	1-1/16 – 1-7/8" [27 – 47 mm]	Top/Bottom

- E** = Radius
- F** = Min. Cabinet Depth
- G** = Center of Rotation
- H** = Min. Cabinet Opening

1/4" Gap Between Face Frame and Door

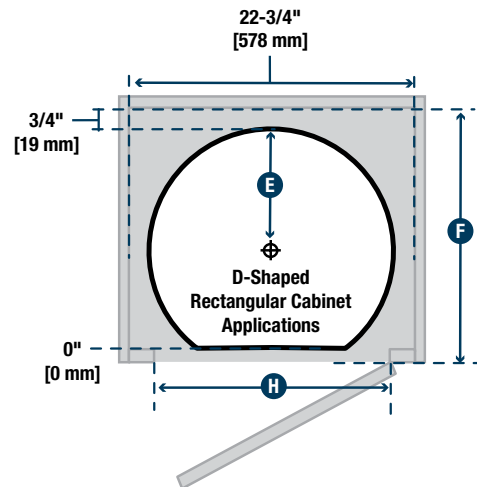
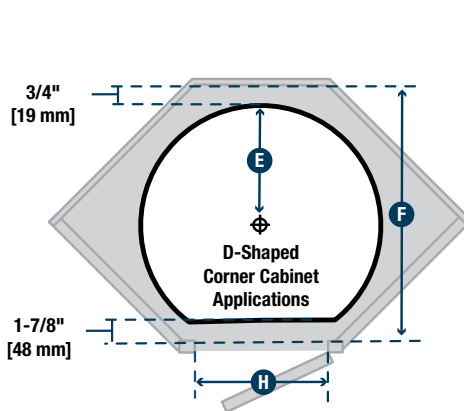
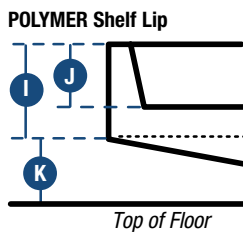


**POLYMER Shelf Lip**



Stock #	E	F	G	H	I	J	K	Mounting
<b>POLYMER D-Shaped Lazy Susans / CORNER Application Dimensions</b>								
PDN22ST-W	11" [279 mm]	20-13/16" [529 mm]	11" [279 mm]	14" [356 mm]	1-3/4" [44 mm]	1" [25 mm]	1/2 – 1-5/16" [13 – 33 mm]	Top/Bottom
PDN22S5T-W	11" [279 mm]	20-13/16" [529 mm]	11" [279 mm]	14" [356 mm]	1-3/4" [44 mm]	1" [25 mm]	1/2 – 1-5/16" [13 – 33 mm]	Top/Bottom
<b>POLYMER D-Shaped Lazy Susans / RECTANGULAR Application Dimensions</b>								
PDN22ST-W	11" [279 mm]	19-15/16" [506 mm]	11" [279 mm]	17-5/8" [448 mm]	1-3/4" [44 mm]	1" [25 mm]	1/2 – 1-5/16" [13 – 33 mm]	Top/Bottom
PDN22S5T-W	11" [279 mm]	19-15/16" [506 mm]	11" [279 mm]	17-5/8" [448 mm]	1-3/4" [44 mm]	1" [25 mm]	1/2 – 1-5/16" [13 – 33 mm]	Top/Bottom

- E** = Radius
- F** = Min. Cabinet Depth
- G** = Center of Rotation
- H** = Min. Cabinet Opening



Dimensions shown are recommended minimum cabinet dimensions and clearances.