



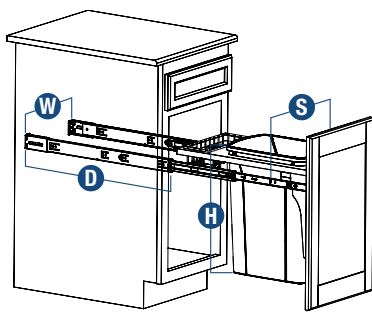
**PDMTM12-1-35WH**  
(with optional QT35LB-W lid)

## Standard, Top-Mount Waste & Recycling Bins

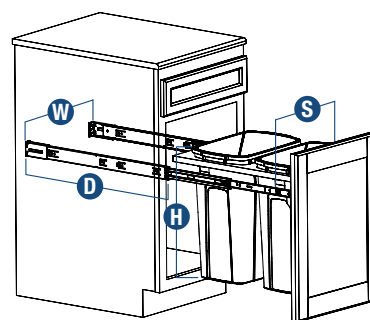
- White polymer removable Bins and optional Lids slide out on KV heavy-duty, precision ball-bearing slides
- Door-Mount Brackets include six-way adjustability for precise door alignment and easy installation
- Made of multi-ply birch veneered plywood with soft radius edges for safety and comfort
- Single-bin units feature a heavy-duty, epoxy-coated wire accessory basket



**PDMTM15-2-35WH**



**PDMTM12-1-35WH**



**PDMTM15-2-35WH**

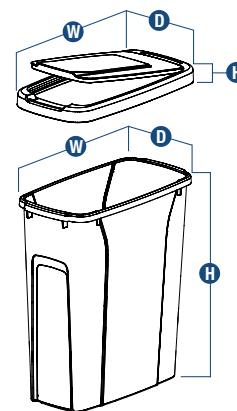
See pages 16–17 for recommended cabinet dimensions and clearances. See page 14 for bin and lid information.

Stock #	Sliding Assembly Width <b>S</b>	Assembled Product Dimensions			Finish [Hardware/Bin]	Capacity per Bin	Number of Bins	Units per Carton	Weight per Carton
		Width <b>W</b>	Height* <b>H</b>	Depth <b>D</b>					
<b>SINGLE BIN UNITS</b>									
PDMTM115-1-35WH	10-15/16" [278 mm]	11-1/2" [292 mm]	17-1/2" [445 mm]	22-1/2" [572 mm]	Anochrome/White	35 qt.	1	1	12.6 lbs. [5.7 kg.]
PDMTM12-1-35WH	11-7/16" [291 mm]	12" [305 mm]	17-1/2" [445 mm]	22-1/2" [572 mm]	Anochrome/White	35 qt.	1	1	13.1 lbs. [5.9 kg.]
PDMTM145-1-50WH	13-15/16" [354 mm]	14-1/2" [368 mm]	21-5/8" [549 mm]	22-1/2" [572 mm]	Anochrome/White	50 qt.	1	1	14.5 lbs. [6.6 kg.]
<b>DOUBLE BIN UNITS</b>									
PDMTM15-2-35WH	14-7/16" [367 mm]	15" [381 mm]	17-1/2" [445 mm]	22-1/2" [572 mm]	Anochrome/White	35 qt.	2	1	14.2 lbs. [6.4 kg.]
PDMTM175-2-35WH	16-15/16" [430 mm]	17-1/2" [445 mm]	17-1/2" [445 mm]	22-1/2" [572 mm]	Anochrome/White	35 qt.	2	1	15.7 lbs. [7.1 kg.]
PDMTM18-2-35WH	17-7/16" [443 mm]	18" [457 mm]	17-1/2" [445 mm]	22-1/2" [572 mm]	Anochrome/White	35 qt.	2	1	15.9 lbs. [7.2 kg.]
PDMTM21-2-35WH	20-7/16" [519 mm]	21" [533 mm]	17-1/2" [445 mm]	22-1/2" [572 mm]	Anochrome/White	35 qt.	2	1	16.5 lbs. [7.5 kg.]

\* If using lid, add 3/4". 30 lbs. maximum per bin, not to exceed 80 lbs. total weight. Not intended for bulk storage.

# Replacement Bins & Lids

Stock #	Dimensions			Finish	Description	Units per Carton	Weight per Carton
	Width <b>W</b>	Height* <b>H</b>	Depth <b>D</b>				
<b>BINS</b>							
QT20PB-WH	14-1/4" [362 mm]	16" [406 mm]	7-1/4" [184 mm]	White	20 qt.	6	12 lbs. [5.4 kg.]
QT20PB-PT	14-1/4" [362 mm]	16" [406 mm]	7-1/4" [184 mm]	Platinum	20 qt.	6	12 lbs. [5.4 kg.]
QT27PB-W	10-5/8" [270 mm]	17-3/4" [451 mm]	10-5/8" [270 mm]	White	27 qt.	10	17.4 lbs. [7.9 kg.]
QT27PB-PT	10-5/8" [270 mm]	17-3/4" [451 mm]	10-5/8" [270 mm]	Platinum	27 qt.	10	17.4 lbs. [7.9 kg.]
QT32PB-W	14" [356 mm]	20" [508 mm]	11-3/4" [298 mm]	White	32 qt.	1	4 lbs. [1.8 kg.]
QT35PB-WH	14-1/4" [362 mm]	17-1/2" [445 mm]	9-3/16" [233 mm]	White	35 qt.	6	14 lbs. [6.4 kg.]
QT35PB-PT	14-1/4" [362 mm]	17-1/2" [445 mm]	9-3/16" [233 mm]	Platinum	35 qt.	6	14 lbs. [6.4 kg.]
QT50PB-W	15-3/8" [391 mm]	21-3/8" [542 mm]	11-1/8" [283 mm]	White	50 qt.	8	20 lbs. [9.1 kg.]
QT50PB-P	15-3/8" [391 mm]	21-3/8" [542 mm]	11-1/8" [283 mm]	Platinum	50 qt.	8	20 lbs. [9.1 kg.]
<b>LIDS</b>							
QT20LB-WH	14-1/2" [368 mm]	*	7-7/16" [189 mm]	White	Fits 20 qt.	1	2 lbs. [0.9 kg.]
QT20LB-PT	14-1/2" [368 mm]	*	7-7/16" [189 mm]	Platinum	Fits 20 qt.	1	2 lbs. [0.9 kg.]
QT35LB-WH	14-1/2" [368 mm]	*	9-9/16" [243 mm]	White	Fits 35 qt.	1	2 lbs. [0.9 kg.]
QT35LB-PT	14-1/2" [368 mm]	*	9-9/16" [243 mm]	Platinum	Fits 35 qt.	1	2 lbs. [0.9 kg.]



\* Lid adds 3/4" to bin height.

See pages 16-17 for recommended cabinet dimensions and clearances. See page 14 for bin and lid information.

Replacement Bin Chart					
PRODUCT NUMBER:	REPLACEMENT STOCK NUMBER:	PRODUCT NUMBER:	REPLACEMENT STOCK NUMBER:	PRODUCT NUMBER:	REPLACEMENT STOCK NUMBER:
SCB10-1-35WH	QT35PB-WH	PDMTM145-1-50WH	QT50PB-W	TSC15-1-35WH	QT35PB-WH
SCB10-1-35PT	QT35PB-PT	PDMTM15-2-35WH	QT35PB-WH	TSC15-1-35PT	QT35PB-PT
SCB12-1-50WH	QT50PB-W	PDMTM175-2-35WH	QT35PB-WH	TSC15-1-50WH	QT50PB-W
SCB12-1-50PT	QT50PB-P	PDMTM18-2-35WH	QT35PB-WH	TSC15-1-50PT	QT50PB-P
SCB12-2-27WH	QT27PB-W	PDMTM21-2-35WH	QT35PB-WH	TSC15-2-35WH	QT35PB-WH
SCB12-2-27PT	QT27PB-PT	SBM12-2-27WH	QT27PB-W	TSC15-2-35PT	QT35PB-PT
SCB15-1-20WH	QT20PB-WH	SBM24-4-27WH	QT27PB-W	TSC18-2-35WH	QT35PB-WH
SCB15-1-20PT	QT20PB-PT	SBM10-1-35WH	QT35PB-WH	TSC18-2-35PT	QT35PB-PT
SCB15-2-20WH	QT20PB-WH	SBM12-1-50WH	QT50PB-W	USC12-1-35WH	QT35PB-WH
SCB15-2-20PT	QT20PB-PT	SBM15-1-20WH	QT20PB-WH	USC12-1-35PT	QT35PB-PT
SCB15-2-35WH	QT35PB-WH	SBM15-1-35WH	QT35PB-WH	USC12-1-50WH	QT50PB-W
SCB15-2-35PT	QT35PB-PT	SBM15-2-20WH	QT20PB-WH	USC12-1-50PT	QT50PB-PT
SCB15-3-20WH	QT20PB-WH	SBM15-2-35WH	QT35PB-WH	USC12-2-27WH	QT27PB-W
SCB15-3-20PT	QT20PB-PT	SBM15-3-20WH	QT20PB-WH	USC12-2-27PT	QT27PB-PT
SCB24-4-27WH	QT27PB-W	SBM9-1-20WH	QT20PB-WH	USC15-2-35WH	QT35PB-WH
SCB24-4-27PT	QT27PB-PT	RRC28K-W	QT32PB-W	USC15-2-35PT	QT35PB-PT
SCB9-1-20PT	QT20PB-PT	RRC28PT-W	QT32PB-W	USC18-2-50WH	QT50PB-WH
SCB9-1-20WH	QT20PB-WH	TSC12-1-35WH	QT35PB-WH	USC18-2-50PT	QT50PB-PT
PDMTM115-1-35WH	QT35PB-WH	TSC12-1-35PT	QT35PB-PT		
PDMTM12-1-35WH	QT35PB-WH				



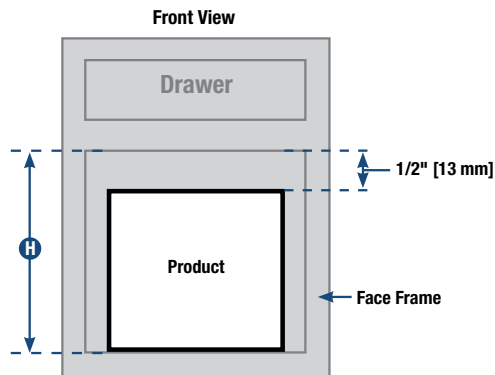
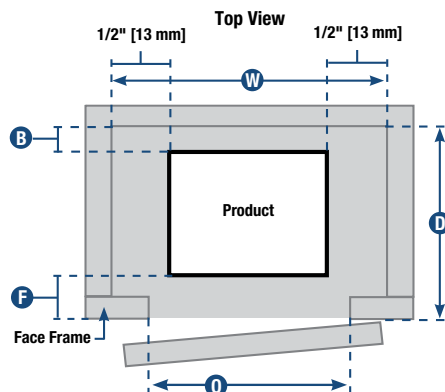
# Cabinet Dimensions

Stock #	Min. Cabinet Opening		Minimum Interior Cabinet Dimensions		Minimum Cabinet Clearances	
	Width <b>O</b>	Width <b>W</b>	Height* <b>H</b>	Depth <b>D</b>	Front <b>F</b>	Back <b>B</b>
<b>SINGLE BIN UNITS</b>						
<b>NON-DOOR-MOUNT</b>						
ECW9-1-20WH	14-1/2" [368 mm]	7-1/2" [191 mm]	17-1/2" [444 mm]	16" [406 mm]	1/4" [6 mm]	1/8" [3 mm]
ECW10-1-35WH	14-1/2" [368 mm]	10" [254 mm]	19" [482 mm]	16" [406 mm]	1/4" [6 mm]	1/8" [3 mm]
SCB9-1-20PT	9" [229 mm]	9" [229 mm]	17-13/16" [452 mm]	20-1/2" [521 mm]	1/4" [6 mm]	1/8" [3 mm]
SCB9-1-20WH	9" [229 mm]	9" [229 mm]	17-13/16" [452 mm]	20-1/2" [521 mm]	1/4" [6 mm]	1/8" [3 mm]
SCB10-1-35PT	10" [254 mm]	10" [254 mm]	19-5/16" [491 mm]	20-1/2" [521 mm]	1/4" [6 mm]	1/8" [3 mm]
SCB10-1-35WH	10" [254 mm]	10" [254 mm]	19-5/16" [491 mm]	20-1/2" [521 mm]	1/4" [6 mm]	1/8" [3 mm]
SCB12-1-50PT	12" [305 mm]	12" [305 mm]	23-3/8" [594 mm]	20-1/2" [521 mm]	1/4" [6 mm]	1/8" [3 mm]
SCB12-1-50WH	12" [305 mm]	12" [305 mm]	23-3/8" [594 mm]	20-1/2" [521 mm]	1/4" [6 mm]	1/8" [3 mm]
SCB15-1-20PT	15" [381 mm]	15" [381 mm]	17-13/16" [452 mm]	16" [407 mm]	1/4" [6 mm]	1/8" [3 mm]
SCB15-1-20WH	15" [381 mm]	15" [381 mm]	17-13/16" [452 mm]	16" [407 mm]	1/4" [6 mm]	1/8" [3 mm]
SBM9-1-20WH	9" [229 mm]	9" [229 mm]	17-13/16" [452 mm]	20-1/2" [521 mm]	1/4" [6 mm]	1/8" [3 mm]
SBM10-1-35WH	10" [254 mm]	10" [254 mm]	19-5/16" [491 mm]	20-1/2" [521 mm]	1/4" [6 mm]	1/8" [3 mm]
SBM12-1-50WH	12" [305 mm]	12" [305 mm]	23-3/8" [594 mm]	20-1/2" [521 mm]	1/4" [6 mm]	1/8" [3 mm]
SBM15-1-20WH	15" [381 mm]	15" [381 mm]	17-13/16" [452 mm]	16-3/8" [416 mm]	1/4" [6 mm]	1/8" [3 mm]
SBM15-1-35WH	15" [381 mm]	15" [381 mm]	19-5/16" [491 mm]	16-3/8" [416 mm]	1/4" [6 mm]	1/8" [3 mm]
<b>DOOR-MOUNT (BOTTOM-MOUNT)</b>						
DWB975-W	12" [305 mm]	12" [305 mm]	12-1/8" [308 mm]	7-1/2" [191 mm]	–	1/8" [3 mm]
WUSC12-1-35PT	11-3/4" [298 mm]	11-3/4" [298 mm]	19-1/2" [241 mm]	22-1/2" [597 mm]	–	1/8" [3 mm]
WUSC12-1-35WH	11-3/4" [298 mm]	11-3/4" [298 mm]	19-1/2" [241 mm]	22-1/2" [597 mm]	–	1/8" [3 mm]
WUSC12-1-50PT	11-3/4" [298 mm]	11-3/4" [298 mm]	23-1/2" [597 mm]	22-1/2" [597 mm]	–	1/8" [3 mm]
WUSC12-1-50WH	11-3/4" [298 mm]	11-3/4" [298 mm]	23-1/2" [597 mm]	22-1/2" [597 mm]	–	1/8" [3 mm]
USC12-1-35WH	12" [305 mm]	12" [305 mm]	19-3/16" [487 mm]	22-5/8" [575 mm]	–	1/8" [3 mm]
USC12-1-35PT	12" [305 mm]	12" [305 mm]	19-3/16" [487 mm]	22-5/8" [575 mm]	–	1/8" [3 mm]
USC12-1-50WH	12" [305 mm]	12" [305 mm]	23-5/16" [592 mm]	22-5/8" [575 mm]	–	1/8" [3 mm]
USC12-1-50PT	12" [305 mm]	12" [305 mm]	23-5/16" [592 mm]	22-5/8" [575 mm]	–	1/8" [3 mm]
<b>DOOR-MOUNT (TOP-MOUNT)</b>						
PDMTM115-1-35WH	11-1/2" [292 mm]	11-1/2" [292 mm]	18" [457 mm]	22-1/2" [572 mm]	–	1/8" [3 mm]
PDMTM12-1-35WH	12" [305 mm]	12" [305 mm]	18" [457 mm]	22-1/2" [572 mm]	–	1/8" [3 mm]
PDMTM145-1-50WH	14-1/2" [368 mm]	14-1/2" [368 mm]	22-1/8" [562 mm]	22-1/2" [572 mm]	–	1/8" [3 mm]
TSC12-1-35WH	11-1/2" [292 mm]	11-1/2" [292 mm]	18" [457 mm]	23-3/8" [594 mm]	–	1/8" [3 mm]
TSC12-1-35PT	11-1/2" [292 mm]	11-1/2" [292 mm]	18" [457 mm]	23-3/8" [594 mm]	–	1/8" [3 mm]
TSC15-1-35WH	14-1/2" [368 mm]	14-1/2" [368 mm]	18" [457 mm]	23-3/8" [594 mm]	–	1/8" [3 mm]
TSC15-1-35PT	14-1/2" [368 mm]	14-1/2" [368 mm]	18" [457 mm]	23-3/8" [594 mm]	–	1/8" [3 mm]
TSC15-1-50WH	14-1/2" [368 mm]	14-1/2" [368 mm]	22-1/8" [562 mm]	23-3/8" [594 mm]	–	1/8" [3 mm]
TSC15-1-50PT	14-1/2" [368 mm]	14-1/2" [368 mm]	22-1/8" [562 mm]	23-3/8" [594 mm]	–	1/8" [3 mm]

\* If using lid, add 3/4".

Dimensions shown are recommended minimum cabinet dimensions and clearances.

### Example of Face Frame Cabinet Application



# Cabinet Dimensions

Stock #	Min. Cabinet Opening		Minimum Cabinet Dimensions		Minimum Cabinet Clearances	
	Width <b>O</b>	Width <b>W</b>	Height* <b>H</b>	Depth <b>D</b>	Front <b>F</b>	Back <b>B</b>
<b>DOUBLE BIN UNITS - NON-DOOR-MOUNT</b>						
SCB12-2-27PT	12" [305 mm]	12" [305 mm]	19" [482 mm]	22-9/16 [573 mm]	–	1/8" [3 mm]
SCB12-2-27WH	12" [305 mm]	12" [305 mm]	19" [482 mm]	22-9/16 [573 mm]	1/4" [6 mm]	1/8" [3 mm]
SCB15-2-20PT	15" [381 mm]	15" [381 mm]	17-13/16" [452 mm]	20-3/8" [518 mm]	1/4" [6 mm]	1/8" [3 mm]
SCB15-2-20WH	15" [381 mm]	15" [381 mm]	17-13/16" [452 mm]	20-3/8" [518 mm]	1/4" [6 mm]	1/8" [3 mm]
SCB15-2-35PT	15" [381 mm]	15" [381 mm]	19-5/16" [491 mm]	23-3/8" [594 mm]	1/4" [6 mm]	1/8" [3 mm]
SCB15-2-35WH	15" [381 mm]	15" [381 mm]	19-5/16" [491 mm]	23-3/8" [594 mm]	1/4" [6 mm]	1/8" [3 mm]
SBM12-2-27WH	12" [305 mm]	12" [305 mm]	19" [482 mm]	22-9/16" [573 mm]	1/4" [6 mm]	1/8" [3 mm]
SBM15-2-20WH	15" [381 mm]	15" [381 mm]	17-13/16" [452 mm]	20-3/8" [518 mm]	1/4" [6 mm]	1/8" [3 mm]
SBM15-2-35WH	15" [381 mm]	15" [381 mm]	19-5/16" [491 mm]	22-3/8" [568 mm]	1/4" [6 mm]	1/8" [3 mm]
<b>DOOR-MOUNT (BOTTOM-MOUNT)</b>						
WUSC12-2-27PT	11-1/2" [292 mm]	11-3/4" [298 mm]	19-3/4" [502 mm]	22-1/2" [597 mm]	–	1/8" [3 mm]
WUSC12-2-27WH	11-1/2" [292 mm]	11-3/4" [298 mm]	19-3/4" [502 mm]	22-1/2" [597 mm]	–	1/8" [3 mm]
WUSC15-2-35PT	14-1/2" [368 mm]	14-3/4" [375 mm]	19-1/2" [502 mm]	22-1/2" [597 mm]	–	1/8" [3 mm]
WUSC15-2-35WH	14-1/2" [368 mm]	14-3/4" [375 mm]	19-1/2" [502 mm]	22-1/2" [597 mm]	–	1/8" [3 mm]
WUSC18-2-50PT	17" [432 mm]	17" [432 mm]	23-1/4" [591 mm]	22-9/16" [573 mm]	–	1/8" [3 mm]
WUSC18-2-50WH	17" [432 mm]	17" [432 mm]	23-1/4" [591 mm]	22-9/16" [573 mm]	–	1/8" [3 mm]
USC12-2-27PT	12" [305 mm]	12" [305 mm]	19-1/4" [489 mm]	22-9/16" [573 mm]	–	1/8" [3 mm]
USC12-2-27WH	12" [305 mm]	12" [305 mm]	19-1/4" [489 mm]	22-9/16" [573 mm]	–	1/8" [3 mm]
USC15-2-35WH	15" [381 mm]	15" [381 mm]	19-3/16" [487 mm]	22-5/8" [575 mm]	–	1/8" [3 mm]
USC15-2-35PT	15" [381 mm]	15" [381 mm]	19-3/16" [487 mm]	22-5/8" [575 mm]	–	1/8" [3 mm]
USC18-2-50WH	16" [406 mm]	15-5/8" [397 mm]	23-5/16" [592 mm]	22-5/8" [575 mm]	–	1/8" [3 mm]
USC18-2-50PT	16" [406 mm]	15-5/8" [397 mm]	23-5/16" [592 mm]	22-5/8" [575 mm]	–	1/8" [3 mm]
<b>DOOR-MOUNT (TOP-MOUNT)</b>						
PDMTM15-2-35WH	15" [381 mm]	15" [381 mm]	18" [457 mm]	22-1/2" [572 mm]	–	1/8" [3 mm]
PDMTM175-2-35WH	17-1/2" [445 mm]	17-1/2" [445 mm]	18" [457 mm]	22-1/2" [572 mm]	–	1/8" [3 mm]
PDMTM18-2-35WH	18" [457 mm]	18" [457 mm]	18" [457 mm]	22-1/2" [572 mm]	–	1/8" [3 mm]
PDMTM21-2-35WH	21" [533 mm]	21" [533 mm]	18" [457 mm]	22-1/2" [572 mm]	–	1/8" [3 mm]
TSC15-2-35WH	15" [381 mm]	15" [381 mm]	18" [457 mm]	23-3/8" [594 mm]	–	1/8" [3 mm]
TSC15-2-35PT	15" [381 mm]	15" [381 mm]	18" [457 mm]	23-3/8" [594 mm]	–	1/8" [3 mm]
TSC18-2-35WH	17-1/2" [445 mm]	17-1/2" [445 mm]	18" [457 mm]	23-3/8" [594 mm]	–	1/8" [3 mm]
TSC18-2-35PT	17-1/2" [445 mm]	17-1/2" [445 mm]	18" [457 mm]	23-3/8" [594 mm]	–	1/8" [3 mm]
<b>TRIPLE BIN UNITS - NON-DOOR-MOUNT</b>						
SCB15-3-20PT	15" [381 mm]	15" [381 mm]	17-13/16" [452 mm]	23-3/8" [594 mm]	1/4" [6 mm]	1/8" [3 mm]
SCB15-3-20WH	15" [381 mm]	15" [381 mm]	17-13/16" [452 mm]	23-3/8" [594 mm]	1/4" [6 mm]	1/8" [3 mm]
SBM15-3-20WH	15" [381 mm]	15" [381 mm]	17-13/16" [452 mm]	23-3/8" [594 mm]	1/4" [6 mm]	1/8" [3 mm]
<b>FOUR BIN UNITS - NON-DOOR-MOUNT</b>						
SCB24-4-27-PT	24" [610 mm]	24" [610 mm]	19-1/2" [495 mm]	22-5/8" [575 mm]	–	1/8" [3 mm]
SCB24-4-27WH	24" [610 mm]	24" [610 mm]	19-1/2" [495 mm]	22-5/8" [594 mm]	1/4" [6 mm]	1/8" [3 mm]
SBM24-4-27WH	24" [610 mm]	24" [610 mm]	19-1/2" [495 mm]	23-3/8" [594 mm]	1/4" [6 mm]	1/2" [13 mm]

\* If using lid, add 3/4".

### Example of Frameless / Euro-Style Cabinet Application

