



Closet and Specialty Hardware

Door & Mirror Hardware 93

Magnetic and Bullet Catches	93
Sliding Door Pulls.	93
Mirror Clips/Glass Clips, Fittings and Latches	94

Drawer Accessories 95

Index Followers	95
Label Holders	95
Locks	95
Pulls	95

Cabinet Hardware 96

Fasteners	96
Hinges.	96

Sliding Door Hardware 97

Glass Door Locks.	97
Door Rollers.	97
Sheaves	98
Plastic Tracks and Guides	99
Plastic Door Track Packaged Assemblies	99
Steel Tracks and Guides.	100
Roll-Ezy Ball-Bearing Track Systems	101
Roll-Ezy Aluminum Track Systems	102

Closet Rods 103

660 Series Heavy-Duty Round Closet Rods	103
750 Series Heavy-Duty Round Closet Rods	103
770 Series Extra-Duty Round Closet Rods.	103
Round Closet Rod Mounting Flanges and Accessories	104
880 Series Extra-Duty Oval Closet Rods	105
Adjustable Closet Rods.	106

Closet Brackets. 107

Closet Shelf Brackets.	107
Closet Rods and Shelf Brackets	108

Closet Storage Aids. 110

Utility Hooks	110
Coat and Hat Hook.	110
Hang Rod	111
Clothing Carrier	111
Towel Bar	111

Magnetic and Bullet Catches

Magnetic Catches

918 ALUM Heavy-Duty Aluminum Magnetic Catch

Size: 2-1/16" width x 1" depth x 3/4" tall
Finish: Aluminum (ALUM)
Packed: 10 per carton, packed in a clear envelope with screws

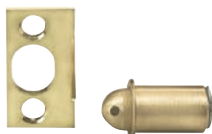


Pull Strength: 7 lbs.

Bullet Catches

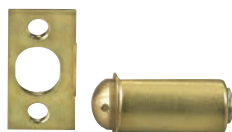
903 BR DIP Adjustable Brass Catch

Size: 3/8" diameter; 5/8" long;
 9/16" x 1-1/16" diameter strike
Finish: Brass-look (BR)
Packed: 100 per carton



905 BR DIP Adjustable Brass-look Catch

Size: 1/2" diameter; 1-1/32" long;
 5/8" x 1-1/4" diameter strike
Finish: Brass-look (BR)
Packed: 50 per carton with screws



Sliding Door Pulls

Knob Pulls

813 ANO Oval Flush Finger Pull*

Size: Over-flange 3/16" x 2-7/8"
 Bore 51/64" x 2-1/2" x 25/64" deep
Finish: Anochrome (ANO)
Origin: Made in the USA
Packed: 100 per carton



1088 ANOD Knob Pull

Finish: Zinc plated steel (ANOD)
Packed: Sets of: 2 knobs, screws,
 and rubber bumpers per envelope
 50 sets per carton
Features: Mounts to 1095 shoe (1092 assembly)



Finger Pulls

801X NP and 803X NP Flush Finger Pull

Size: 801X: 31/32" outside diameter,
 Bore 25/36" hole diameter, 1/4" depth
 803X: 31/32" outside diameter,
 Bore 25/36" hole diameter, 3/8" depth
Finish: Nickel Plate (NP)
Origin: Made in the USA
Packed: 100 per carton



836 ANO Threaded Finger Pull

Size: 1-1/16" outside diameter, cut a 13/16" diameter hole
 for installation
Finish: Anochrome (ANO)
Origin: Made in the USA
Packed: 50 per carton
Features: Two-piece screw-together pull for glass 3/16"
 to 5/16" thick; with beveled edges



Mirror Clips/Glass Clips, Fittings and Latches

Mirror Clips/Glass Clips

6092 PLAS Plastic Mirror Clips

Size: For 1/4" thick glass/mirror
 Finish: Clear Plastic (PLAS)
 Packed: 100 per carton with screws



6094 PLAS Plastic Mirror Clip

Size: For 1/8" thick glass/mirror
 Finish: Clear Plastic (PLAS)
 Packed: 100 per carton with screws



266 CHR Cast Mirror Clip

Size: 1-1/16" long x 3/4" wide, for 1/4" thick glass/mirror
 Finish: Chrome (CHR)
 Packed: 12 per carton with screws



268 CHR Heavy-Duty Cast Mirror Clip

Size: 1-1/4" long x 11/16" wide, for 1/4" thick glass/mirror
 Finish: Chrome (CHR)
 Packed: 12 per carton with screws



277 ANO Bottom-Mount Steel Mirror Clip

Size: 1-1/2" wide x 1" high, for 1/4" thick glass/mirror
 Finish: Anochrome (ANO)
 Origin: Made in the USA
 Packed: 10 per carton
 Features: Screw attached bottom flange for snug mounting



278 ANO Top-Mount Steel Mirror Clip

Size: 1-1/2" wide x 1-1/8" high, for 1/4" thick glass/mirror
 Finish: Anochrome (ANO)
 Origin: Made in the USA
 Packed: 10 per carton
 Features: Screw attached upper flange for snug mounting



288 ANO Steel Mirror Clip

Size: 1/2" wide, for 1/4" thick glass/mirror
 Finish: Anochrome (ANO)
 Origin: Made in the USA
 Packed: 100 per carton



309 ANO Steel Mirror Clip

Size: 9/16" wide x 1-1/4" long, for 5/16" thick glass/mirror
 Finish: Anochrome (ANO)
 Origin: Made in the USA
 Packed: 100 per carton
 Features: Countersunk for #4 screws



318 ANO Steel Mirror Clip

Size: 9/16" wide x 1-1/4" long, for 5/16" thick glass/mirror
 Finish: Anochrome (ANO)
 Origin: Made in the USA
 Packed: 100 per carton
 Features: Countersunk elongated slot for #5 flat head screws; elongated mounting hole for adjustable installation



Fittings

306 ANO Glass Fitting

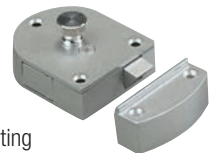
Size: 9/16" wide x 1-1/4" long
 Finish: Anochrome (ANO)
 Packed: 100 per carton
 Origin: Made in the USA
 Features: Countersunk for #4 screws



Latches

989 Series Secret Gate Latch

Size: 2" x 2-3/8"
 Finish: Aluminum
 Packed: 12 per carton
 Features: Interchangeable left or right hand mounting



989 Series Secret Gate Latch	
Product	Finish
989 ALUM	Aluminum

☐ Non-stock item – minimum order quantities and additional lead time may apply.

Index Followers, Label Holders, Locks and Pulls



Index Followers and Track

475F ZC Card Sized Index Follower

Size: Mounted plate is 2-11/16" from track and 4-3/4" wide
Finish: Anochrome (ANO)
Origin: Made in the USA
Packed: 10 per carton



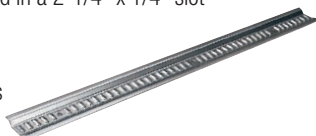
476F ZC Letter Sized Index Follower

Size: Mounted plate is 7-5/8" from track and 10-3/4" wide
Finish: Anochrome (ANO)
Origin: Made in the USA
Packed: 10 per carton



476T ZC 26 Index Follower Track

Size: 26" long; may be recessed in a 2-1/4" x 1/4" slot
Finish: Anochrome (ANO)
Origin: Made in the USA
Packed: 10 per carton with screws



Label Holders

701 ANO Label Holder

Size: 2-5/8" x 1-7/16" for card dimension of 2" x 1"
Finish: Anochrome (ANO)
Origin: Made in the USA
Packed: 100 per carton



704 ANO Label Holder

Size: 3-1/2" x 1-3/4" for card dimension of 2-15/16" x 1-1/2"
Finish: Anochrome (ANO)
Origin: Made in the USA
Packed: 100 per carton



Drawer Locks

986 Series Drawer Lock

Size: Mounting flange: 1-1/2" x 2" wide with screw holes on 1-7/16" centers; barrel OD: 7/8"; bolt travel: 3/8"



Finish: Polished Nickel (NP)

Origin: Made in the USA

Packed: 12 per carton

Features: Available keyed alike; mounts to material up to 7/8" thick

986 Series Drawer Locks

Product	Finish	Keyed
986KA 70 NP	Nickel (NP)	Alike

Drawer Pulls

819X Flush Drawer Pull

Size: 1-3/4" x 3-1/4" x 9/16" deep with beveled edges
Finish: Anochrome (ANO), Dull Brass (BR)
Packed: 12 per carton with screws



819X Flush Drawer Pull

Product	Finish
819X ANO	Anochrome (ANO)
819X BR	Dull Brass (BR)

Fasteners and Hinges

Surface Fasteners

320 STL Table Top Fastener, 1" width
 323 STL Table Top Fastener, 5/8" width
 324 STL Table Top Fastener, 3/4" width
 Finish: Steel (STL)
 Origin: Made in the USA
 Packed: 100 per carton



341 ZC and 342 ZC Corner Brace
 Size: 341: 1" x 1" installed
 342: 2" x 2" installed
 Finish: Zinc (ZC)
 Origin: Made in the USA
 Packed: 100 per carton



1547 STL Desk Top Fastener
 Finish: Steel (STL)
 Origin: Made in the USA
 Packed: 100 per carton



1548 ZC Desk Top Fastener
 Finish: Zinc (ZC)
 Origin: Made in the USA
 Packed: 500 per carton



521 ZC Hanger Plate (1/16" steel)
 Size: 13/16" x 2"
 Finish: Zinc (ZC)
 Origin: Made in the USA
 Packed: 100 per carton
 Features: Use with 3/4" #10 flathead wood screws



Bolt Style Fastener

510 ZC Joint Fastener

Size: 4" bolt with plate 5/16" x 5/8" x 1-1/2"
 Finish: Zinc (ZC)
 Packed: 100 per carton
 Features: An economical fastener, easy to install



513 ZC Joint Fastener

Size: 4" bolt with flat bar plate
 7/16" x 3/16" x 1-1/4"
 Finish: Zinc (ZC)
 Packed: 100 per carton



517 ZC Joint Fastener

Size: 3-1/2" bolt with flat bar plate 7/16" x 3/16" x 1-1/4"
 Finish: Zinc (ZC)
 Packed: 100 per carton

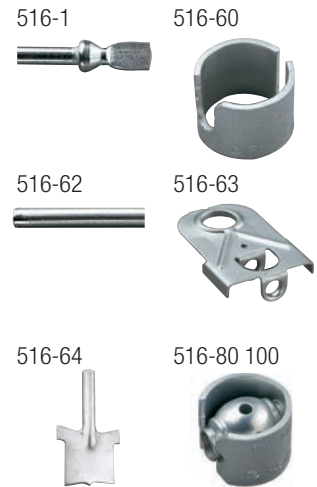


Tite-Joint® Fastener

516 ZC designed for 3/4" wood

Size: Center-to-center 2" to 3-1/2"
 Finish: Zinc (ZC)
 Origin: Made in the USA
 Features: Applies an even, controlled pressure between joint members to eliminate twisting and buckling

Pack Configurations		516 Fasteners Zinc (ZC)			516 Joint Fastener Accessory Parts	
Standard	25 per carton	Standard	Builders (BP)	Product	Description	Packed
Builders (BP)	100 per carton	516/25 ZC	516/100 ZC	516-1	Draw Bolt	1 per carton
				516-60	Locking Sleeve	1 per carton
				516-62	Tightening Rod	1 per carton
				516-63	Drill Guide	1 per carton
				516-64	Drill	1 per carton
				516-80 100	Tightening Assembly	1 per carton



Hinges

472 ANO Steel Support Hinge

Size: 6" or 10"
 Finish: Anochrome (ANO)
 Origin: Made in the USA



Pack Configurations		472 Support Hinges Standard Pack			472 Support Hinges Optional Pack	
Standard	12 pair (left and right handed) per carton with screws	Standard	Finish	Product	Finish	Handed
Optional	Left or right hand packaged separately in cartons of 24	472 ANO 6	Anochrome (ANO)	472L ANO 10	Anochrome (ANO)	Left
		472 ANO 10	Anochrome (ANO)	472R ANO 10	Anochrome (ANO)	Right

Locks and Door Rollers

Sliding Glass Door Locks

962KA 440 CHR Adjustable Ratchet Lock for 3/4" glass

963KA 440 CHR Adjustable Ratchet Lock for 1/4" glass*

Size: Adjustable 3/4" to 3-3/8"

Finish: Chrome (CHR)

Packed: 12 per carton

Features: 962 fits any door to 3/4" with thumbscrew adjustment
963 fits 1/4" sliding glass doors, keyed alike



965 Ratchet Locks

Size: Adjustable from 1" to 3-3/8"

Finish: Polished Nickel (NP)

Packed: 12 per carton

Features: Adjustable lock for 1/4" sliding glass doors



965 Ratchet Locks		
Product	Finish	Keyed
965KA 50 NP	Polished Nickel	Alike

984KA 90 NP Plunger Lock

Size: Mounting flange: 7/8" x 2" with screw holes on 1-1/2" centers; Barrel: 7/8" outside diameter; Plunger travel: 15/32"; Plunger receptacle: 1/2" (outside diameter) x 7/16"

Finish: Polished Nickel (NP)

Packed: 12 per carton

Features: Keyed alike only



Door Rollers

420 STL Door Roller

Size: Frame: 7/16" x 1-7/8";

Nylon roller: 9/16" diameter; 5/16" wide

Finish: Steel (STL)

Packed: 100 per carton



422 STL Door Roller

Size: Frame: 5/8" x 1-13/16";

Nylon roller: 9/16" diameter; 1/2" wide

Finish: Steel (STL)

Packed: 100 per carton



423 STL Door Roller

Size: Frame: 5/8" x 1-13/16";

Steel roller: 5/8" diameter; 1/2" wide

Finish: Steel (STL)

Packed: 100 per carton



424 STL Door Roller

Size: Frame: 1" x 2";

Steel roller: 5/8" diameter; 7/8" wide

Finish: Steel (STL)

Packed: 50 per carton



Sheaves

427 STL Steel Sheave

Size: Frame: 2-15/16" x 1/2"; Wheel: 1-3/16" diameter
Finish: Steel (STL)
Packed: 50 per carton
Features: Ball-bearing round groove sheave; for use with KV tracks 455, 467, and 469



607 ZC Side Mount Steel Sheave

Size: Frame: 2-5/16" x 1-5/16"; Wheel: 1-3/8" diameter
Finish: Steel (STL)
Packed: 50 per carton
Features: Heavy-duty ball-bearing sheave with side fastening plate; for use with KV tracks 455, 467, and 469



429 STL Steel Sheave

Size: Frame: 2-1/4" x 3/8"; Wheel: 1" diameter
Finish: Steel (STL)
Packed: 100 per carton
Features: Round groove sheave; for use with KV tracks 455, 467, and 469



620 STL Steel Sheave

Size: Frame: 7/16" x 1-7/8"; Wheel: 11/16" x 9/32"
Finish: Steel (STL)
Packed: 100 per carton
Features: Axle bearing grooved steel roller; for use with KV tracks 455, 467, and 469



430 STL Steel Sheave

Size: Frame: 2-3/4" x 1/2"; Wheel: 1-3/8" diameter
Origin: Made in the USA
Finish: Steel (STL)
Packed: 50 per carton
Features: Ball-bearing round groove sheave; for use with KV tracks 455, 467, and 469



400A STL Concealed Steel Sheave

Size: Case: 1-1/4" x 5/16"; Flange: 1-3/4" x 9/16"
Finish: Steel (STL)
Packed: 100 per carton
Features: Ball-bearing sheave drive type; for use with KV tracks 455, 467, and 469



430 N STL Neoprene Treaded Steel Sheave

Size: Frame: 2-3/4" x 1/2"; Wheel: 1-3/8" diameter
Finish: Steel (STL)
Packed: 50 per carton
Features: Flat neoprene tire, ball-bearing sheave; used without track



402 STL Concealed Steel Sheave

Size: Frame: 1-1/4" x 5/16"; Flange: 2-1/4" x 5/16"
Finish: Steel (STL)
Packed: 100 per carton
Features: Ball-bearing sheave; for use with KV tracks 455, 467, and 469



592 STL Convex Nylon Sheave

Size: Frame: 9/32" x 2-1/4"; Wheel: 1-3/16" diameter
Finish: Steel (STL)
Packed: 100 per carton
Features: Convex nylon wheel for thin doors; for use with inverted KV track 455



580 STL Concealed Steel Sheave

Size: Case: 1-1/4" x 5/16"; Flange: 1-3/4" x 9/16"
Finish: Steel (STL)
Packed: 100 per carton
Features: Nylon round groove sheave for light doors; for use with KV tracks 455, 467, and 469



594 NYLON Concave Nylon Sheave

Size: Frame: 2-15/16" x 1/2"; Wheel: 1-3/16" diameter
Finish: Steel (STL)
Packed: 50 per carton
Features: For doors to 1-1/8" thick; nylon round groove wheel; for use with all KV tracks



582 STL Concealed Steel Sheave

Size: Case: 1-1/4" x 5/16"; Flange: 2-1/4" x 5/16"
Finish: Steel (STL)
Packed: 100 per carton
Features: Nylon round groove sheave; for use with KV tracks 455, 467, and 469



Plastic Door Track Assemblies for Sliding Doors

P2413 1/8" Door Assembly Kits

Size: 48", 72" lengths
 Finish: Tan (TAN)
 Packed: 10 kits per carton

P2413
TAN



P2413 1/8" Door Assembly Kits			
Product	Finish	Length	Door Size
P2413 TAN 48	Tan (TAN)	48"	1/8"
P2413 TAN 72	Tan (TAN)	72"	1/8"

P2417 1/4" Door Assembly Kits

Size: 48", 72" lengths
 Finish: Tan (TAN), White (WH)
 Packed: 10 kits per carton

P2417
TAN



P2417 1/4" Door Assembly Kits			
Product	Finish	Length	Door Size
P2417 TAN 48	Tan (TAN)	48"	1/4"
P2417 TAN 72	Tan (TAN)	72"	1/4"
P2417 WH 48	White (WH)	48"	1/4"
P2417 WH 72	White (WH)	72"	1/4"

P2421 1/2" Door Assembly Kits

Size: 48", 72" lengths
 Finish: Tan (TAN)
 Packed: 10 kits per carton

P2421
TAN



P2421 1/2" Door Assembly Kits			
Product	Finish	Length	Door Size
P2421 TAN 48	Tan (TAN)	48"	1/2"
P2421 TAN 72	Tan (TAN)	72"	1/2"

P2419 3/4" Door Assembly Kits

Size: 48", 72" lengths
 Finish: Tan (TAN)
 Packed: 10 kits per carton

P2419
TAN



P2419 3/4" Door Assembly Kits			
Product	Finish	Length	Door Size
P2419 TAN 48	Tan (TAN)	48"	3/4"
P2419 TAN 72	Tan (TAN)	72"	3/4"

Finish:



Tan
(TAN)



White
(WH)

☐ Non-stock item – minimum order quantities and additional lead time may apply.

Steel Tracks and Guides for Sliding Doors

455 STL 144 Lower Track

Size: 19/64" height x 21/32" width x 144" length
Finish: Wrought Steel (STL)
Origin: Made in the USA
Packed: 1 each

455 STL



455 SS 144 Lower Track

Size: 19/64" height x 21/32" width x 144" length
Finish: Stainless Steel (SS)
Origin: Made in the USA
Packed: 1 each

455 SS



467 STL 144 Lower Track

Size: 19/64" height x 7/16" width x 144" length
Finish: Steel (STL)
Origin: Made in the USA
Packed: 1 each

467



469 ZC 144 Double Lower Track

Size: Double track 1/4" height
Finish: Zinc (ZC)
Origin: Made in the USA
Packed: 1 each

469



953 ZC 144 Top Door Divider

Size: 5/8" height x 5/8" width x 144" length
Finish: Pre-coated Steel (ZC)
Origin: Made in the USA
Packed: 1 each
Features: Upper T-guide separates the sliding door at the top

953



Roll-Ezy Ball-Bearing Track Systems



Complete Assembly

P992 Large Glass Door Track Assembly Kit

Includes: (1) 993 Upper Channel, (2) 995 Shoe, (2) 997 Carrier,
(1) 999 Lower Track

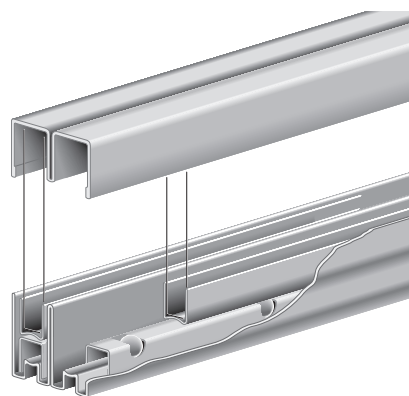
Origin: Made in the USA

Packed: 1 set per carton

Features: For large glass door applications, for 1/4" thick glass installations

Complete Assemblies	
Product	Installation Opening Width
P992 ZC 36	36"
P992 ZC 48	48"
P992 ZC 60	60"
P992 ZC 72	72"

Installation Notes & Recommendations:
Knape & Vogt does not recommend butt-joints and/or openings longer than 12 feet.
We recommend that the height to width ratio for glass doors should not exceed 2:1.



953 ZC 144 Top Door Divider

Size: 5/8" width x 5/8" height x 144" length

Finish: Zinc (ZC)

Origin: Made in the USA

Packed: 1 each

Features: Pre-coated steel upper T-guide for wood framed installations; for use with 1/4" glass doors only; for large glass door applications



993 ZC 144 Upper Channel

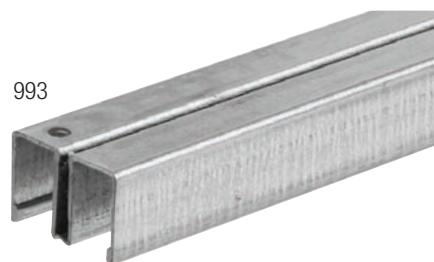
Size: 15/16" wide x 5/8" height x 144" length

Finish: Zinc (ZC)

Origin: Made in the USA

Packed: 1 each

Features: Upper channel for top and ends of opening; wide divider maintains door position; for large glass door applications



995 ZC 144 Door Shoe

Size: 21/64" wide x 7/16" height x 144" length

Finish: Zinc (ZC)

Origin: Made in the USA

Packed: 1 each

Features: Lightly curved bottom for free rolling position on ball-bearings; for 1/4" glass, scant or full; for large glass door applications



997 ZC 144 Ball Carrier

Size: 3/8" wide x 17/32" height x 144" length

Finish: Zinc (ZC)

Origin: Made in the USA

Packed: 1 each

Features: Ball-bearing carrier has free rolling balls on 3" centers; unique design creates two point suspension between shoe and lower rack; for large glass door applications



999 ZC 144 Lower Track

Size: 1" wide x 1" high x 144" length

Finish: Zinc (ZC)

Origin: Made in the USA

Packed: 1 each

Features: Balls ride freely on curved anvil with no contact against sides of lower track; for large glass door applications



NOTE: For each foot of opening use 1' of upper channel and lower track and shoe (plus 1" per door for overlap), with 1-1/2' of carrier (1-1/2 times door width for each door). Glass is cut 1-1/4" lower than height of opening.

Roll-Ezy Aluminum Track Systems

Complete Assembly

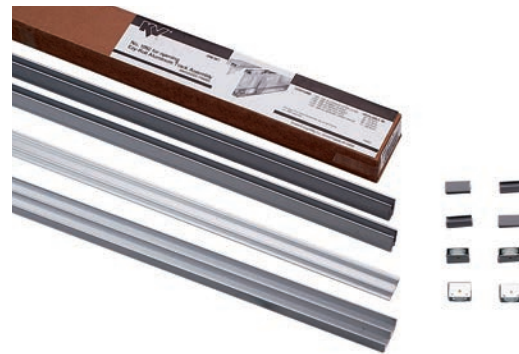


P1092 Small to Medium Glass Door Track Assembly Kit

Includes: (1) 1093 Upper Channel, (4) 1097 Rollers, (4) 1085 Vinyl Guides, (2) 1095 Shoe, (1) 1099 Lower Track

Packed: 1 set per carton

Features: For small to medium size glass door installations; for 1/4" thick glass



Complete Assemblies	
Product	Length
P1092 ANOD 36	36"
P1092 ANOD 48	48"
P1092 ANOD 60	60"
P1092 ANOD 72	72"

Installation Notes & Recommendations:
 Knape & Vogt does not recommend butt-joints and/or openings longer than 12 feet.
 We recommend that the height to width ratio for glass doors should not exceed 2:1.

1093 144 Upper Channel

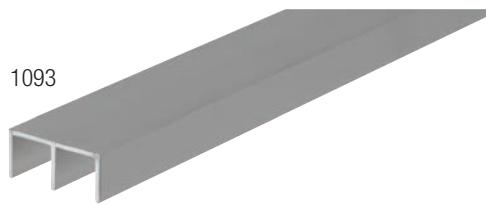
Size: 1-3/16" width x 9/16" height x 144" length

Finish: Aluminum (AL)

Origin: Made in the USA

Packed: 1 each

Features: Double channel for tops, bottoms, and ends; for small to medium size glass door installations; for 1/4" thick glass



1093

1095 144 Door Shoe

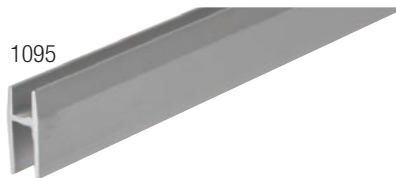
Size: 27/64" width x 1" height x 144" length

Finish: Aluminum (AL)

Origin: Made in the USA

Packed: 1 each

Features: Rollers to be inserted in the bottom; for small to medium size glass door installations; for 1/4" thick glass



1095

1096 144 Single Lower Track

Size: 31/64" width x 15/32" height x 144" length

Finish: Aluminum (AL)

Origin: Made in the USA

Packed: 1 each

Features: For single doors, or may be used with 1093 double channel for covered installation; for small to medium size glass door installations; for 1/4" thick glass



1096

NOTE: Cut glass 1-1/2" lower than opening when using 1096/1093 tracks

1099 144 Double Lower Track

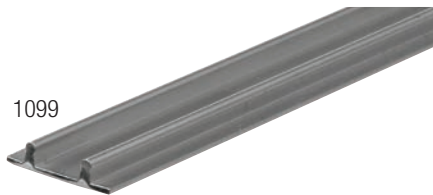
Size: 1-1/16" width x 1/4" height x 144" length

Finish: Aluminum (AL)

Origin: Made in the USA

Packed: 1 each

Features: For small to medium size glass door installations; for 1/4" thick glass



1099

NOTE: Cut glass 1-3/16" lower than opening when using 1099 track

1085 VINYL Guide

Size: 7/8" length

Finish: Vinyl (VINYL)

Origin: Made in the USA

Packed: 100 per carton

Features: Vinyl guide fits over the top of glass for noiseless operation in upper channel; for small to medium size glass door installations; for 1/4" thick glass



1097 NYLON Nylon Rollers

Finish: Nylon (NYLON)

Origin: Made in the USA

Packed: 100 per carton

Features: Rubber roller press fits into bottom of 1095 shoe



1098 ZC Steel Ball-bearing Roller

Finish: Zinc (ZC)

Origin: Made in the USA

Packed: 20 per carton

Features: Steel ball-bearing roller press fits into bottom of 1095 shoe



1087 RUB Rubber Bumper

Finish: Rubber (RUB)

Packed: 100 per carton

Features: Rubber bumper installs in jambs to cushion glass

