

# Roll-Ezy Ball-Bearing Track Systems



## Complete Assembly

### P992 Large Glass Door Track Assembly Kit

**Includes:** (1) 993 Upper Channel, (2) 995 Shoe, (2) 997 Carrier,  
(1) 999 Lower Track

**Origin:** Made in the USA

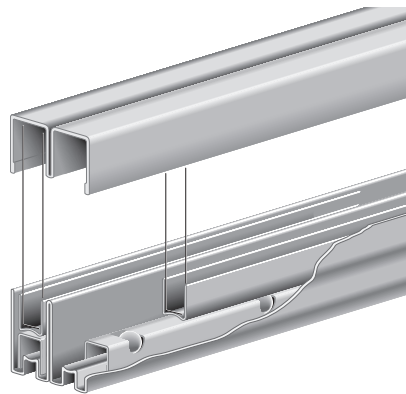
**Packed:** 1 set per carton

**Features:** For large glass door applications, for 1/4" thick glass installations

#### Complete Assemblies

Product	Installation Opening Width
P992 ZC 36	36"
P992 ZC 48	48"
P992 ZC 60	60"
P992 ZC 72	72"

**Installation Notes & Recommendations:**  
Knape & Vogt does not recommend butt-joints and/or openings longer than 12 feet.  
We recommend that the height to width ratio for glass doors should not exceed 2:1.



### 953 ZC 144 Top Door Divider

**Size:** 5/8" width x 5/8" height x 144" length

**Finish:** Zinc (ZC)

**Origin:** Made in the USA

**Packed:** 1 each

**Features:** Pre-coated steel upper T-guide for wood framed installations; for use with 1/4" glass doors only; for large glass door applications



### 993 ZC 144 Upper Channel

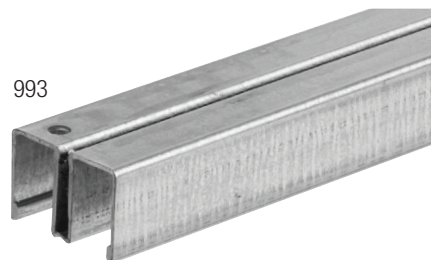
**Size:** 15/16" wide x 5/8" height x 144" length

**Finish:** Zinc (ZC)

**Origin:** Made in the USA

**Packed:** 1 each

**Features:** Upper channel for top and ends of opening; wide divider maintains door position; for large glass door applications



### 995 ZC 144 Door Shoe

**Size:** 21/64" wide x 7/16" height x 144" length

**Finish:** Zinc (ZC)

**Origin:** Made in the USA

**Packed:** 1 each

**Features:** Lightly curved bottom for free rolling position on ball-bearings; for 1/4" glass, scant or full; for large glass door applications



### 997 ZC 144 Ball Carrier

**Size:** 3/8" wide x 17/32" height x 144" length

**Finish:** Zinc (ZC)

**Origin:** Made in the USA

**Packed:** 1 each

**Features:** Ball-bearing carrier has free rolling balls on 3" centers; unique design creates two point suspension between shoe and lower rack; for large glass door applications



### 999 ZC 144 Lower Track

**Size:** 1" wide x 1" high x 144" length

**Finish:** Zinc (ZC)

**Origin:** Made in the USA

**Packed:** 1 each

**Features:** Balls ride freely on curved anvil with no contact against sides of lower track; for large glass door applications



**NOTE:** For each foot of opening use 1' of upper channel and lower track and shoe (plus 1" per door for overlap), with 1-1/2' of carrier (1-1/2 times door width for each door). Glass is cut 1-1/4" lower than height of opening.