

# 8500T, 8505T, 8520T, 8525T Lateral File Drawer Systems



## Features

- Patented integrated anti-tilt mechanism
- Uses high-strength cable that laces through the drawer slides and snaps into place, allowing only one drawer to open at a time
- Accommodates drawers on 12" ( $\pm 1/2$ ") vertical centers
- Non-handed quick disconnect rail
- Designed for use on lateral file applications where a drawer anti-tilt feature is needed

**8500T:** Full extension slide with maximum 36" drawer width

**8505T:** 1.25" over travel slide max. 30" drawer width

**8520T:** Full extension slide with maximum 42" drawer width

**8525T:** 1.25" over travel slide max. 36" drawer width

**Mounting:** Side

**Action:** Progressive movement on ball-bearings

**Load Rating:** 8500T/8505T: 150 lb. class

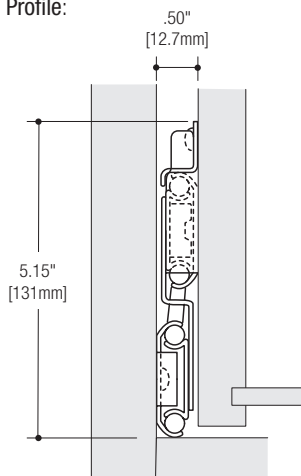
8520T/8525T: 175 lb. class

**Height:** 5.15" [131mm]

**Clearance:** .50" + .03" - 0" on each side

**Finish:** Anochrome (ANO), Ebony Black (EB)

**Profile:**



## Configurations

Quantity (Q)	20 pairs without screws; multiple cartons
<b>8500T Anochrome (ANO) Finish</b>	
<b>Size</b>	<b>Quantity (Q)</b>
16"	8500TQ 16
18"	8500TQ 18
20"	8500TQ 20
<b>8505T Anochrome (ANO) Finish</b>	
16"	8505TQ 16
18"	8505TQ 18
20"	8505TQ 20
<b>Special Order Only</b>	
8520T	Special Order
8525T	Special Order

Recommended Fasteners		KV Part	Finish	Qty
	#7 x 1/2" Phillips Pin Head Screws	8500-93	Zinc (ZC)	1000
		8500-93 EB	Ebony Black (EB)	1000

Non-stock item – minimum order quantities and additional lead time may apply.

## 8500 Interlok™ Cable Accessory

Required for 8500T, 8505T, 8520T and 8525T Interlok anti-tilt systems.

Product	Size	Packed
8500T-11B 482	For 2-high lateral files	40 per carton
8500T-11B 789	For 3-high lateral files	40 per carton
8500T-11B 1095	For 4-high lateral files	40 per carton

Note: Custom length cables are available as special order. Consult Customer Service for information and availability.