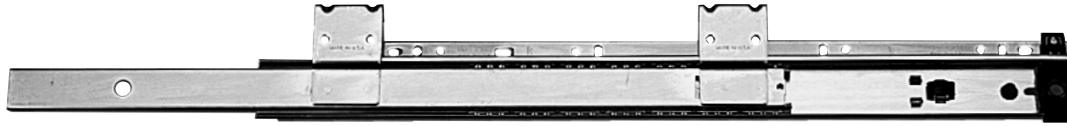


8200 3/4 Extension Pencil or Center Drawer Slide



Features

- Quick disconnect drawer members
- Anti-rebound stay-close design holds pencil drawer in closed position yet allows for easy opening

Mounting: Under surface

Action: Ball-bearing movement

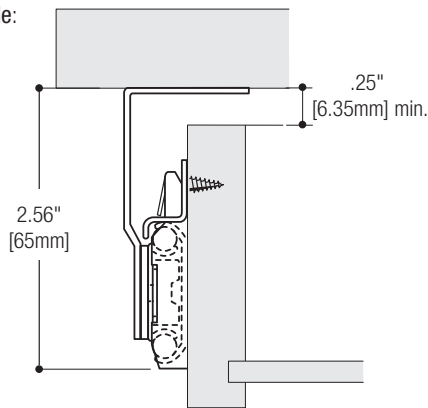
Load Rating: 75 lb. class

Height: 2.56" [65mm] overall

Clearance: 1.62" [41mm] per side out-board
.62" [15.7mm] per side in-board


Finish: Anochrome (ANO), Ebony Black (EB)

Profile:



Configurations

| | | |
|-------------------------------------|---|---------------------|
| Poly (P) | 1 pair per bag with screws; 10 pairs per carton | |
| Quantity (Q) | 20 pairs without screws; multiple cartons | |
| 8200 Anochrome (ANO) Finish | | |
| Size | Poly (P) | Quantity (Q) |
| 12" | 8200P 12 | 8200Q 12 |
| 14" | 8200P 14 | 8200Q 14 |
| 16" | 8200P 16 | 8200Q 16 |
| 18" | 8200P 18 | 8200Q 18 |
| 20" | 8200P 20 | 8200Q 20 |
| 22" | 8200P 22 | 8200Q 22 |
| 24" | 8200P 24 | 8200Q 24 |
| 8200 Ebony Black (EB) Finish | | |
| 12" | – | 8200Q EB 12 |
| 14" | – | 8200Q EB 14 |
| 16" | – | 8200Q EB 16 |
| 18" | – | 8200Q EB 18 |
| 20" | – | 8200Q EB 20 |
| 22" | – | 8200Q EB 22 |
| 24" | – | 8200Q EB 24 |

| Recommended Fasteners | | KV Part | Finish | Qty |
|---|-----------------------------|---------|-----------|------|
|  | #7 x 1/2" Phillips Pan Head | 8500-93 | Zinc (ZC) | 1000 |

■ Non-stock item – minimum order quantities and additional lead time may apply.