

4461D 5/8 Extension Variable Height Keyboard Slide



Features

- Mounting brackets adjust to three heights and can be reversed for in-board and out-board mounting
- Anti-rebound stay-close design holds pencil drawer in closed position yet allows for easy opening
- Integrated shelf tabs

Mounting: Under surface

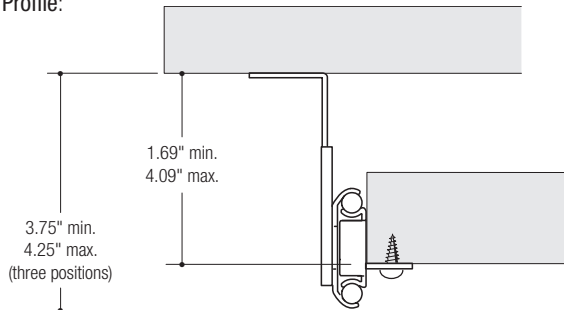
Action: Ball-bearing movement

Load Rating: 75 lb. class

Height: Overall drop height 3.75" to 4.25" in 1/2" increments


Finish: Black (BLK)

Profile:



Configurations

Poly (P)	1 pair per bag with screws; 5 pairs per carton
4461D Black (BLK) Finish	
Size	Poly (P)
15"	4461D

Recommended Fasteners	
	#10 x 5/8" Phillips Pan Head