

# 1275 3/4 Extension Drawer Slide



## Features

- Stay close design
- Lift out disconnect
- Rollers operate on ball-bearings
- Recommended maximum drawer width 18"

Mounting: Side

Action: Ball-bearing rollers

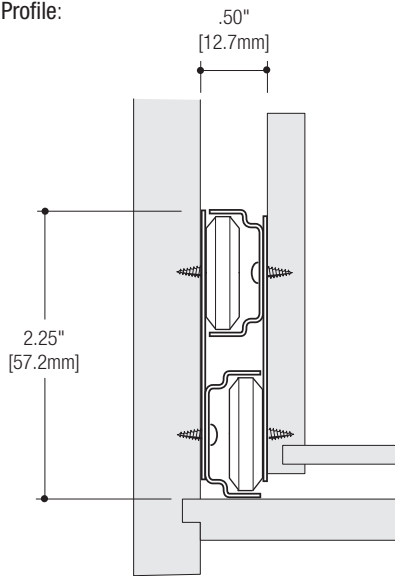
Load Rating: 60 lb. class

Height: 2.25" [57.2mm]

Clearance: .50" + .03" - 0" on each side


Finish: Zinc (ZC)

Profile:



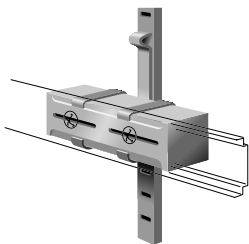
## Configurations

Quantity (Q)	50 pairs without screws; multiple cartons
<b>1275 Quantity (Q)</b>	
<b>Size</b>	<b>Quantity (Q)</b>
14"	1275Q 14
16"	1275Q 16
18"	1275Q 18
20"	1275Q 20
22"	1275Q 22

Recommended Fasteners		KV Part	Finish	Qty
	#7 x 3/32" Phillips Pan Head	1300-83	Zinc (ZC)	1000

Non-stock item – minimum order quantities and additional lead time may apply.

## Mounting Brackets



1303  
Vertically Adjustable  
Side-mounting Bracket

- Optional bracket used with pilaster strips (KV# 255, 233) mounted within the cabinet.
- Allows slide to be adjusted vertically when changes in drawer height are necessary.

Product	Pack
1303	100 per carton