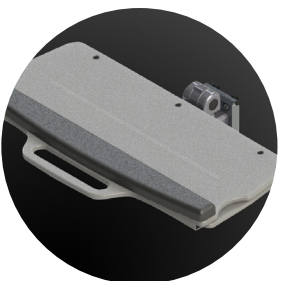
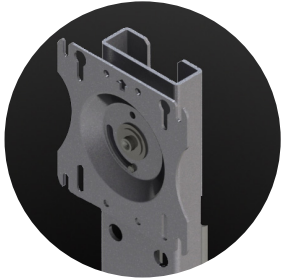


# CX Compact Track Mount Work Center



## INTELLIGENTLY DESIGNED

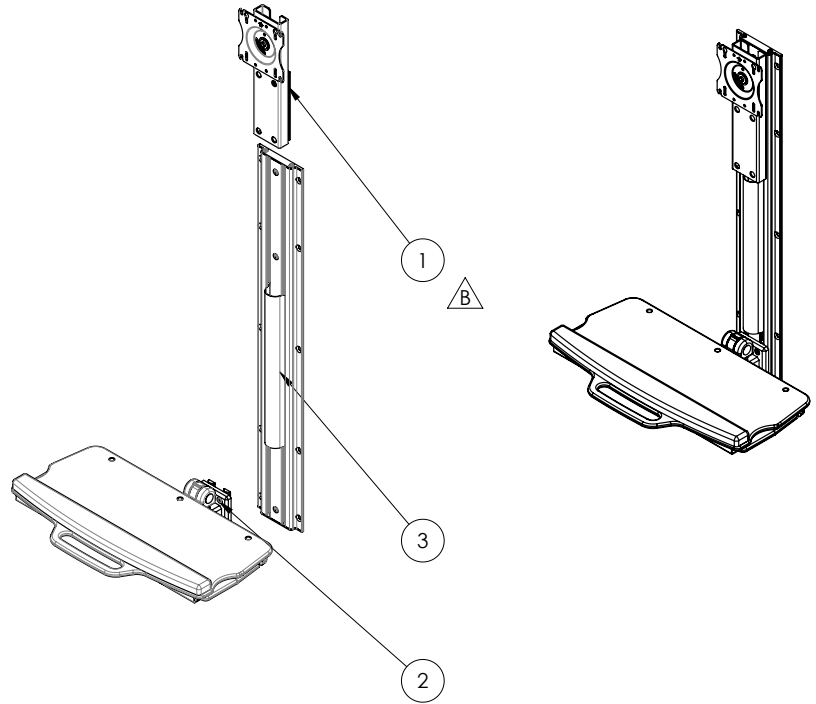
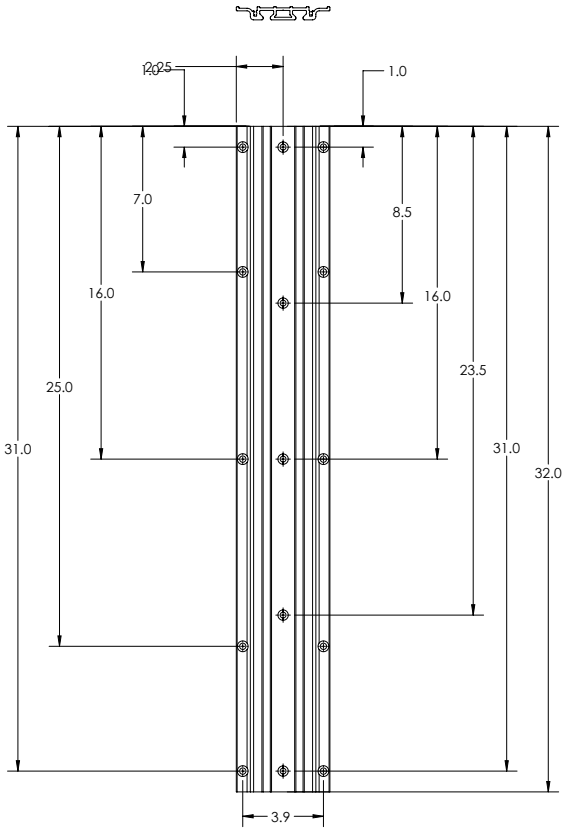
- Keyboard flips up 90 degrees for a compact storage position when not in use
- OSHPD approved, ensuring installations meet local building codes and infrastructure requirements
- Designed to maximize personal preferences optimizing versatility, comfort and ergonomics

## INSTALLS IN MINUTES

- Ships pre-assembled resulting in minimal after sale installation costs and reduced “down time” for critical care areas
- Complete mounting hardware is supplied resulting in seamless integration into multiple mounting surfaces
- Quick connect Vesa adapter allows for single person integrations and t to landscape preferences

## BUILT FOR LIFE

- Designed for long term dependability, within varying EMR implementations and adaptations, maximizing return on investment
- Maintains high infection control standards with durable anti-microbial agents incorporated into all contact surfaces
- Manufactured of steel, aluminum and high density polyethylene materials supporting high performance long-term usage



## CX Compact Track Mount Work Center

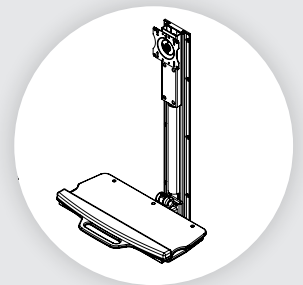
### CX Compact Track Mount Work Center

Model	LCD Max Capacity	KB Max Capacity	LCD Rotation	LCD Tilt Range	LCD Pivot	OPA Number
154020S32	20 lbs.	6lbs.	360° Portrait to Landscape	0°	0°	OPM-0049-13

Shipping weight: 31 lbs. Box dimensions: 36" x 29" x 9"

Silver

Finish:



2700 Oak Industrial Dr. NE  
 Grand Rapids, MI 49505-6026 USA  
 1.800.253.1561 | 616.459.3311  
 Fax: 877.636.3290  
 www.kv.com