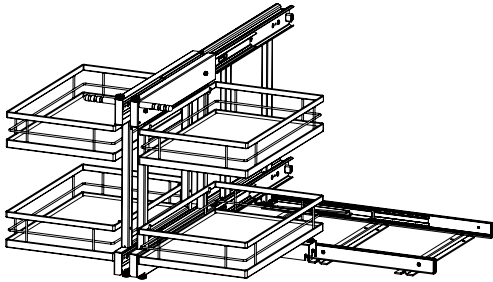




Blind Corner Unit Installation Instructions

KNAPE & VOGT

Inspect all parts and read all instructions prior to beginning assembly and installation.

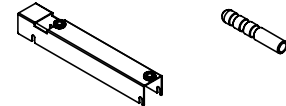
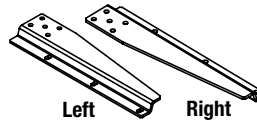
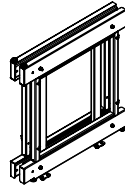


Tools Required

- Phillips Head Screwdriver
- Drill with 1/16" (1.5mm) bit
- Tape Measure

Parts Included

- A: Center Slide Assembly (1) B: Support Feet (2) C: Front Guide Stop Channel(1) D: Pull Handle (2)



Product Assemblies

BCUS-LR-15-CH

**For ease of installation,
assemble and install before
countertop is installed on
cabinets.**

- E: Slide Base (1)

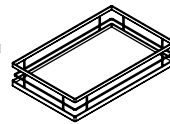
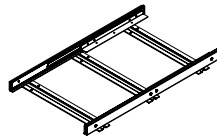
- F: Basket (4)

- G: M5 x 8 (12)

- H: M4 x 8 (2)

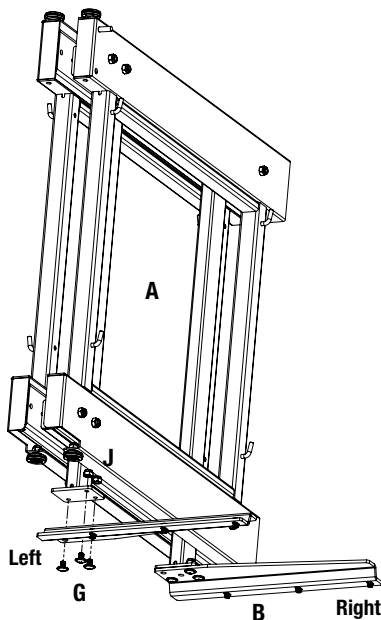
- I: ST4 x 14 (12)

- J: Lock Nut (6)

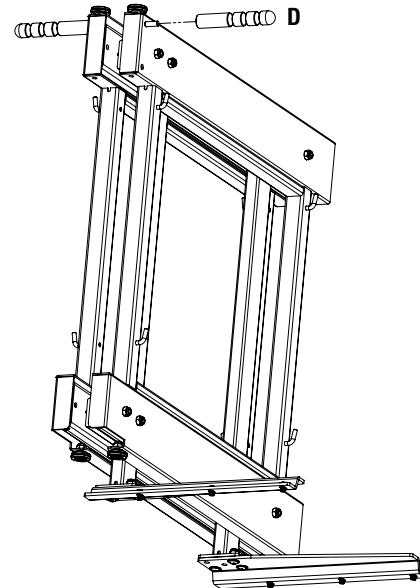


Installation shown for LEFT cabinet openings, reverse instructions for RIGHT cabinet openings.

- 1** Attach the support feet (B) to the bottom of the center sliding assembly (A) using 6 - M5 x 8mm (G) screws and 6 - lock nuts (J).

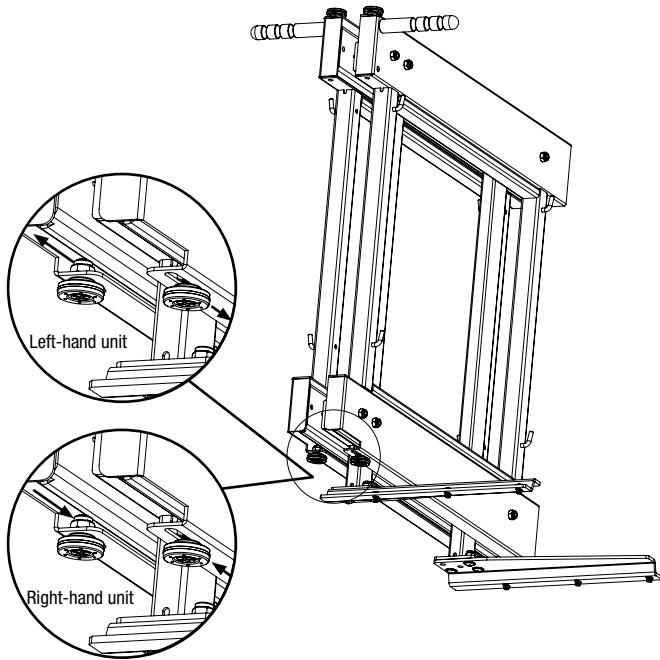


- 2** Install screw on pull handles (D).

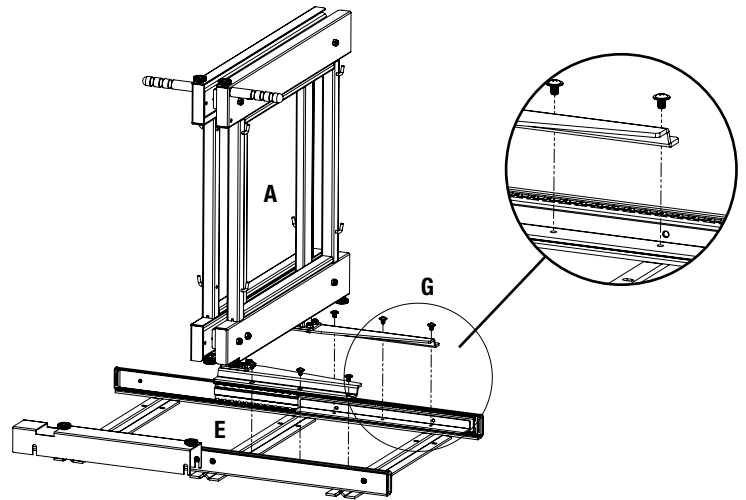


Installation (continued)

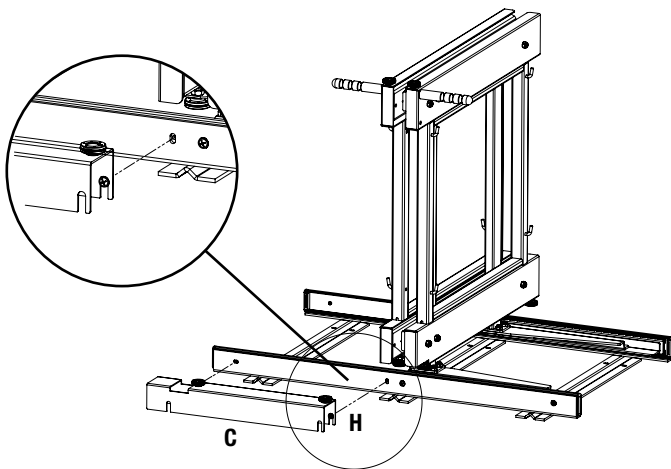
- 3** Adjust and tighten the position of the bottom guide rollers for either a right- or left-hand unit.



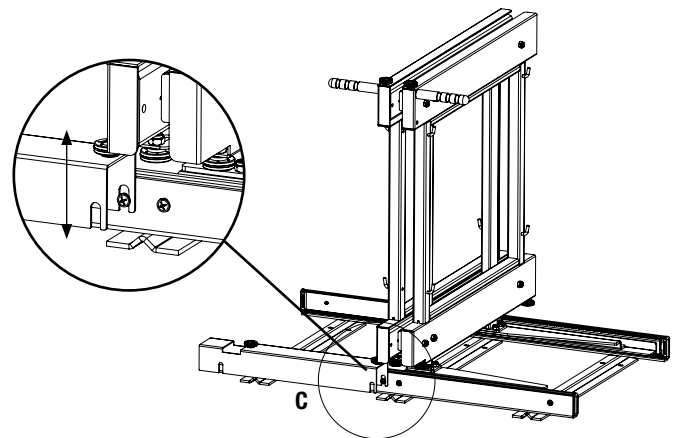
- 4** Attach center assembly (A) with feet to the slide base (E) with remaining 6 - M5 x 8mm (G) screws.



- 5** Attach front guide stop channel (C), replacing 2 - short M4 screws with 2 - longer M4 x 8mm (H) screws.

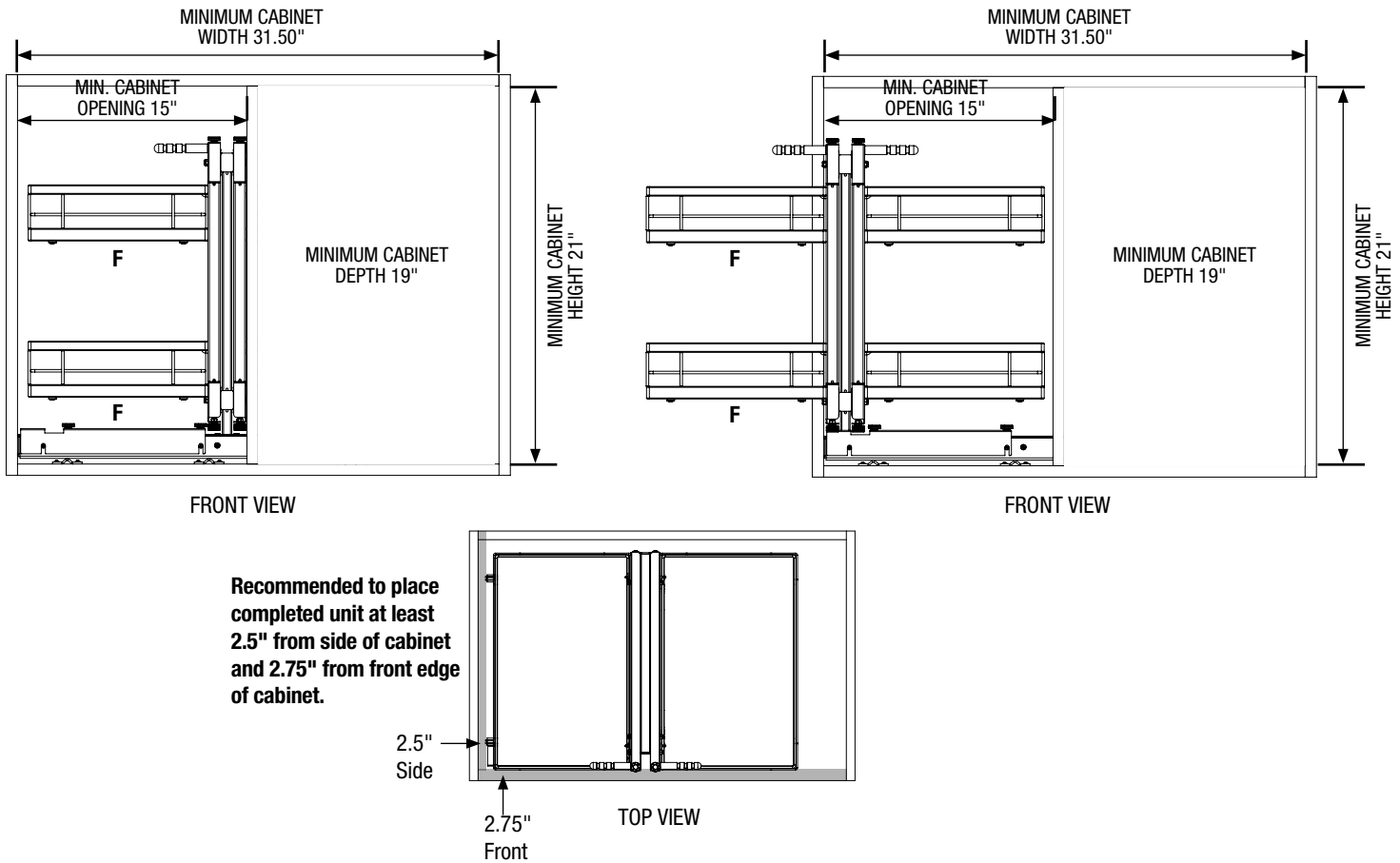


- 6** Set front guide stop (C) height to allow for proper roller clearance and operation.

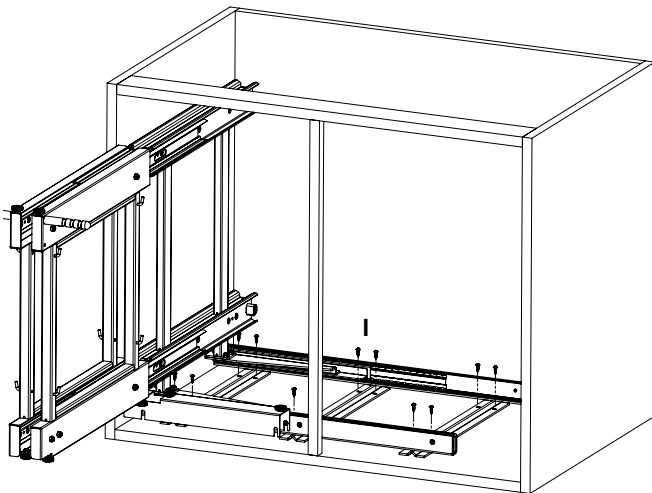


Installation (continued)

- 7** Position and align completed unit in cabinet. **Recommended to place completed unit at least 2.5" from side of cabinet and 2.75" from front edge of cabinet.** Temporarily place at least one basket (F) on each side of the frame assembly and verify that both baskets will clear the opening when operating the product.



- 8** Once final position and proper clearances are confirmed, remove the baskets and install bottom frame to the base cabinet with 12 - ST4 x 14 (I) wood screws through the mounting brackets into the cabinet base.



- 9** Install the 4 - baskets (F), 2 on each side of center frame.

