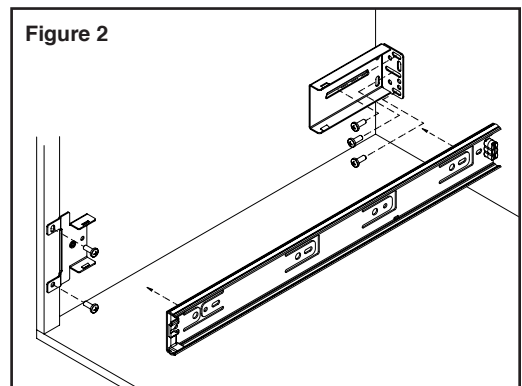
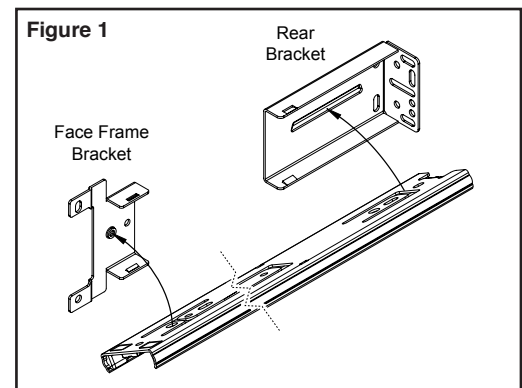
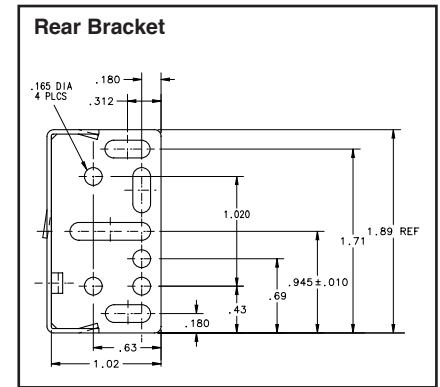
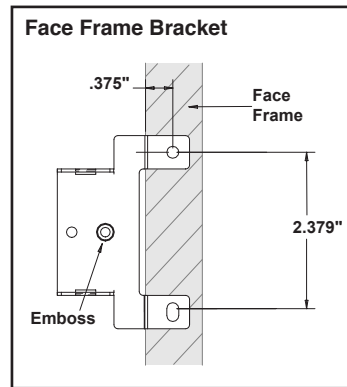


## Clip-on Face Frame Bracket

### INSTALLATION INSTRUCTIONS:

NOTE: For ease of installation, the drawer and cabinet members of the drawer slide should be separated by depressing the disconnect lever prior to installing.

1. Align the face-frame bracket to the front of the cabinet member so that the emboss of the bracket lines up with the first euro hole of the cabinet member located 1-3/8" [35mm] from the front edge of the cabinet member. See figure 1.
2. Snap the face-frame bracket onto the cabinet member by nesting the slide on the inside bottom of the bracket and pressing into place. See figure 1.
3. Snap the rear bracket on the cabinet member by nesting the slide on the inside bottom of the bracket and pressing into place. See Figure 1.
4. Position the face-frame bracket behind the face frame opening and move it forward until the bracket stop hits the inside of the face frame opening. Install a screw into the slotted mounting hole. Do not tighten the screw completely at this time.
5. Extend the rear bracket until it comes in contact with the back wall or blocking used to secure the rear bracket.
6. Secure the rear bracket to the cabinet with a screw in a oval hole. Secure the front bracket with a screw in the round hole of the bracket and tighten the original screw. See Figure 2.
7. Repeat steps 2 to 7 for the other drawer cabinet member.
8. Inset the drawer members into the cabinet members, fully close drawer and check for proper fit.
9. Adjust the vertical positions if necessary and install additional screws in the rear bracket. See Figure 3.



### PACKAGING OPTIONS:

#### Bulk

- 8404 Contains 20 Zinc Brackets
- 8404 EB Contains 20 Ebony Black Brackets
- 8404 WH Contains 20 White Brackets
- 8404B Contains 100 Zinc Brackets
- 8404BBL Contains 400 Zinc Brackets

#### Kit

- 8404B Kit Each Poly Bagged Kit Contains: Two 8404 Zinc Face Frame Brackets and 2 8403 Rear Mounting Brackets. Screws are included. Twenty Kits are packed to a carton.

#### Recommended Fasteners

#7x1/2 Panhead Screws

