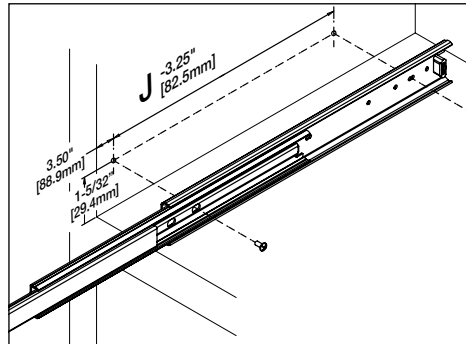
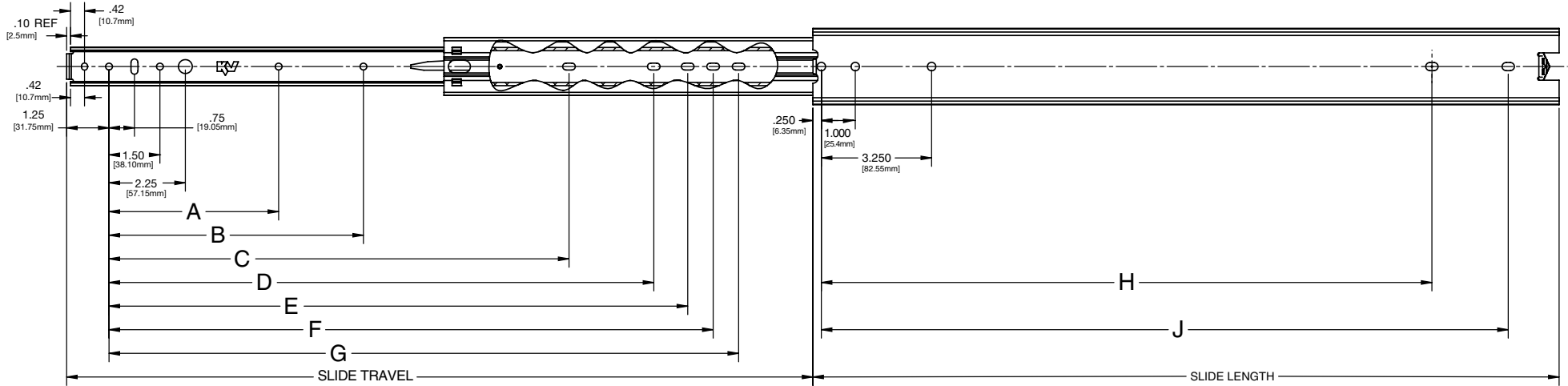




KNAPE & VOGT

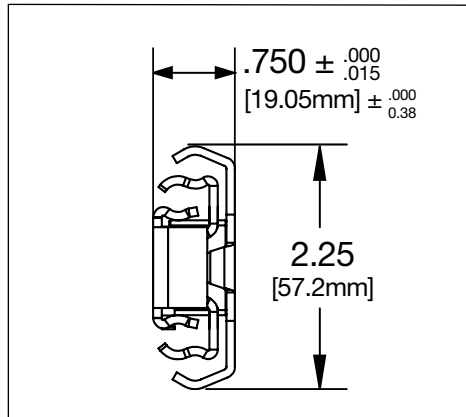
8800 Heavy-Duty Drawer Slide



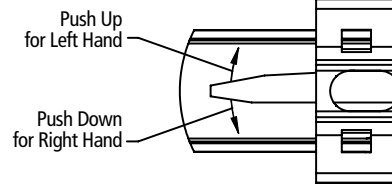
Slide Length	Slide Travel	A	B	C	D	E	F	G	H	J
12.00 [304.8]	12.00 [304.8]	-	-	-	-	-	7.81 [198.4]	8.56 [217.5]	8.25 [209.6]	10.50 [266.7]
14.00 [355.6]	14.00 [355.6]	-	-	-	-	9.06 [230.2]	9.81 [249.2]	10.56 [268.3]	10.25 [260.4]	12.50 [317.5]
16.00 [406.4]	16.00 [406.4]	5.00 [127.0]	-	-	10.06 [255.6]	11.06 [281.0]	11.81 [300.0]	12.56 [319.1]	12.25 [311.2]	14.50 [368.3]
18.00 [457.2]	18.00 [457.2]	5.00 [127.0]	-	-	12.06 [306.4]	13.06 [331.8]	13.81 [350.8]	14.56 [369.9]	14.25 [362.0]	16.50 [419.1]
20.00 [508.0]	20.00 [508.0]	5.00 [127.0]	7.50 [190.5]	-	14.06 [357.2]	15.06 [382.6]	15.81 [401.6]	16.56 [420.7]	16.25 [412.8]	18.50 [469.9]
22.00 [558.8]	22.00 [558.8]	5.00 [127.0]	7.50 [190.5]	13.56 [344.4]	16.06 [408.0]	17.06 [433.4]	17.81 [452.4]	18.56 [471.5]	18.25 [463.6]	20.50 [520.7]
24.00 [609.6]	24.00 [609.6]	5.00 [127.0]	7.50 [190.5]	15.56 [395.2]	18.06 [458.8]	19.06 [484.2]	19.81 [503.2]	20.56 [522.3]	20.25 [514.4]	22.50 [571.5]
26.00 [660.4]	26.00 [660.4]	5.00 [127.0]	7.50 [190.5]	17.56 [446.0]	20.06 [509.6]	21.06 [535.0]	21.81 [554.0]	22.56 [573.1]	22.25 [565.2]	24.50 [622.3]
28.00 [711.2]	28.00 [711.2]	5.00 [127.0]	7.50 [190.5]	19.56 [496.8]	22.06 [560.4]	23.06 [585.8]	23.81 [604.8]	24.56 [623.9]	24.25 [616.0]	26.50 [673.1]

Dimensions in [] are in millimeters.

Note: This slide must never be used as a pullout step, platform, or any other application supporting human weight as injury may result.



Lever Disconnect Operation



To disconnect drawer member, first extend the slide fully and then lift up the left hand side disconnect lever and push down the right hand side disconnect lever and pull the drawer member out.

- Product:** Heavy-Duty Drawer Slide
- Mounting:** Side
- Clearance:** .75" (+.030, -.000)
- Load Rating:** 200-Pound Class
- Height:** 2-9/32"
- Finish:** Zinc Plated
- Travel:** Full Extension
- Action:** Telescopic
- Hardware:** Hardware purchased separately.
#10 x 82° flat head wood screws for cabinet channel
#8 or #10 truss head wood screws for drawer channel
- Sizes:** 12", 14", 16", 18", 20", 22", 24", 26" & 28"
- Packaging:** Bulk pack (8800B): All Sizes: 4 pair per box.
Mounting hardware not included. One set of installation instructions.