



# Installation Instructions for: KV 8350 Three Quarter Extension Drawer Slide

## ***For Best Results, Read Instructions First!***

These instructions show how to install the KV 8350 Box Drawer Slides. Please note that improper installation may void the Knape & Vogt Limited Lifetime Warranty. To install the slides correctly, follow these instructions, use only KV hardware, and make no modifications.

## **Application**

- Recommended for Box Drawers used in desks, pedestals and kitchen cabinet applications. Not recommended for use in applications wider than 18 inches.
- Maximum load rating – 75 lbs.
- Requires Minimum 1/2" side clearance per side. Drawer width must be 1" to 1-1/16" less than the drawer opening.
- Use #7 or #8 Pan Head screws, such as KV part number 200143-4.
- A pattern of 5mm mounting holes are provided for mounting with Euro-screws, such as KV part number 200257.
- Consult factory for advice on unusual applications. Please note that installation may vary dependent upon the particular application.
- Where your products may be used in BIFMA, KCMA or other applications that are subject to industry standards, the drawer slide you select for usage should be tested within the application and in accordance with the appropriate industry standard. If you have questions or need additional information, please contact Knape & Vogt at the address indicated.

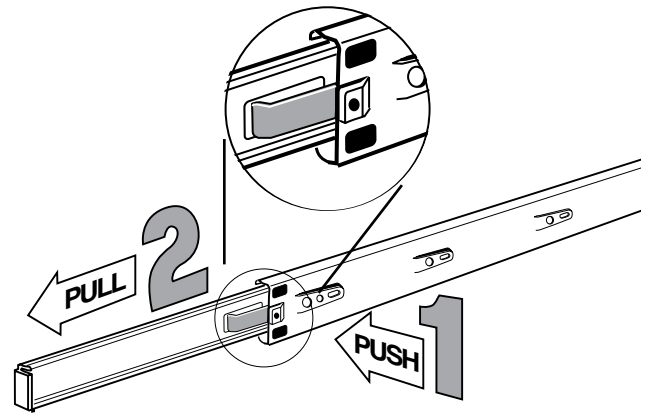
## **Typical Installation**

### **Step 1 . Part Preparation and Identification**

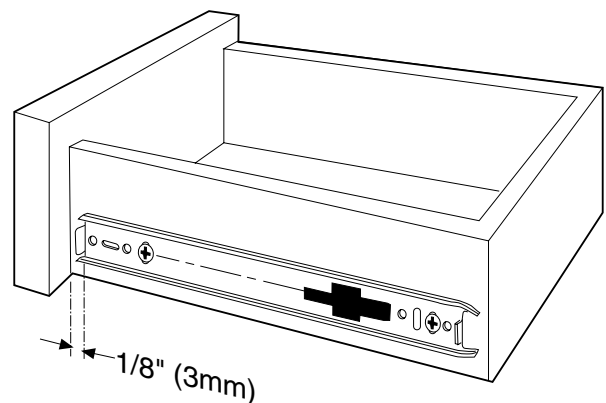
Separate the slide members by depressing the disconnect lever, as shown in **Figure A**.

### **Step 2. Install Drawer Members.**

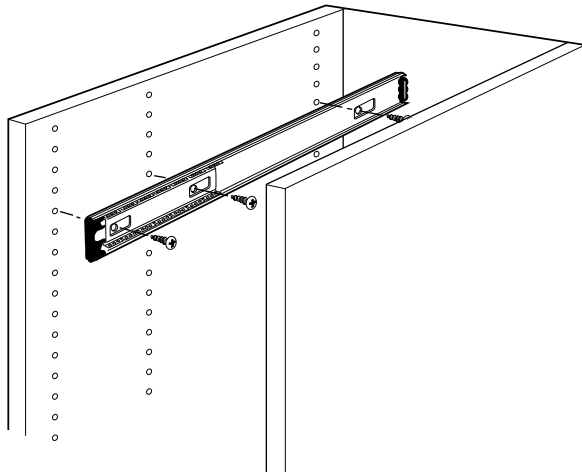
Install the drawer member as shown in **Figure B**. Fasten through the slotted holes and adjust later as desired.



**Figure A.**



**Figure B.**



**Figure C.**

**Step 3. Install Cabinet Member .**

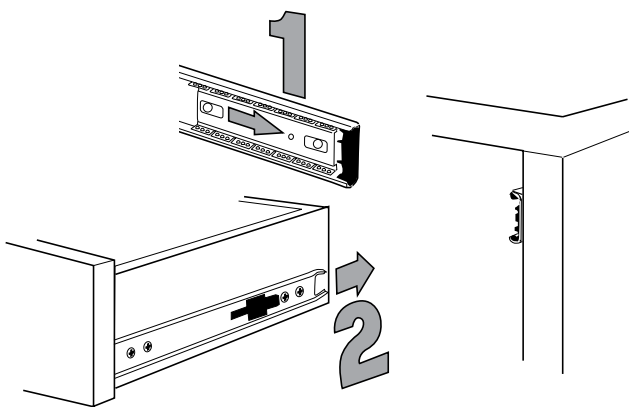
Install cabinet member as shown in **Figure C**. Check the location of cabinet members on both sides and adjust as needed. Adjustment should not be needed when mounted using the 32mm system hole pattern.

**Step 4 . Insert Drawer.**

Check that ball retainer is latched in the forward position. Insert drawer and close completely as shown in **Figure D**. Open and close drawer while checking for proper fit. Adjust as needed.

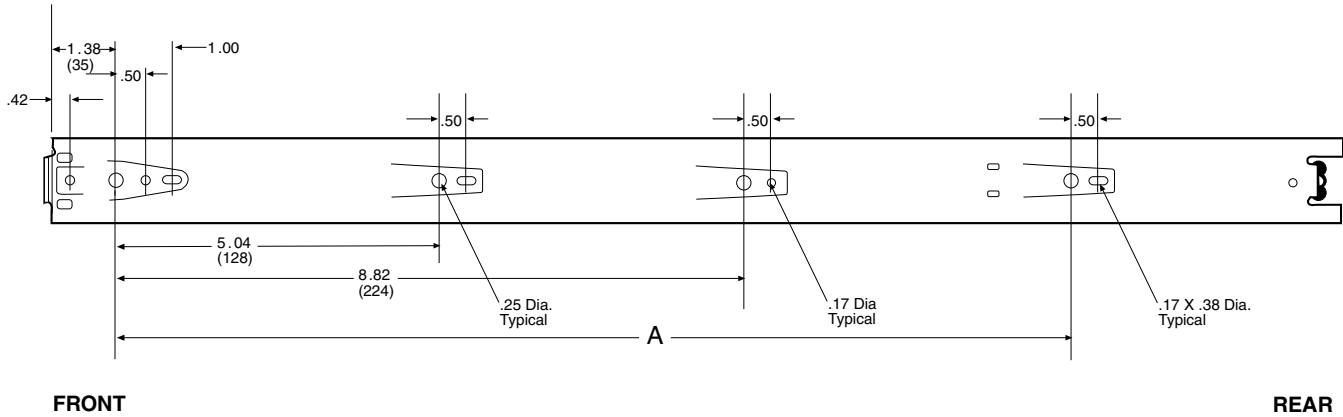
**Step 5. Adjust and Secure.**

After adjustment is completed, secure both the drawer and cabinet members with additional screws in the round holes.



**Figure D.**

## CABINET MOUNTING DIMENSIONS



SIZE	12	14	16	18	20	22	24	26	28	30
A	—	—	12.60 (320)	13.86 (352)	16.38 (416)	18.90 (480)	20.16 (512)	22.68 (576)	23.94 (608)	25.20 (646)

### Limited Lifetime Warranty

Knap & Vogt Manufacturing Company guarantees its drawer slides and builder's hardware products against failure or defects for so long as the purchaser or end user owns them. This warranty is void if any damage to the product is due to misuse, abuse, neglect, accident, improper installation or any uses contrary to the instructions accompanying the product. This warranty covers the cost of the defective part and not the cost of removal, installation or other incidental charges. The foregoing are the purchaser's exclusive remedies. Knap & Vogt Manufacturing Company assumes no liability for special or consequential damages.

Replacement product may be obtained by returning the product, transportation charges prepaid, together with a receipt of purchase or other documents acknowledging the sale of the product, addressed to the Knap & Vogt Manufacturing Company, Attention: Customer Service Department.

The warranty set forth above is in lieu of any other warranties, express or implied, including warranties of merchantability and fitness for use.



2700 Oak Industrial Drive NE

Grand Rapids, Michigan 49505 USA

Phone: 616-459-3311

Fax: 616-459-3290

Web: [www.kv.com](http://www.kv.com)

Information subject to change without notice.