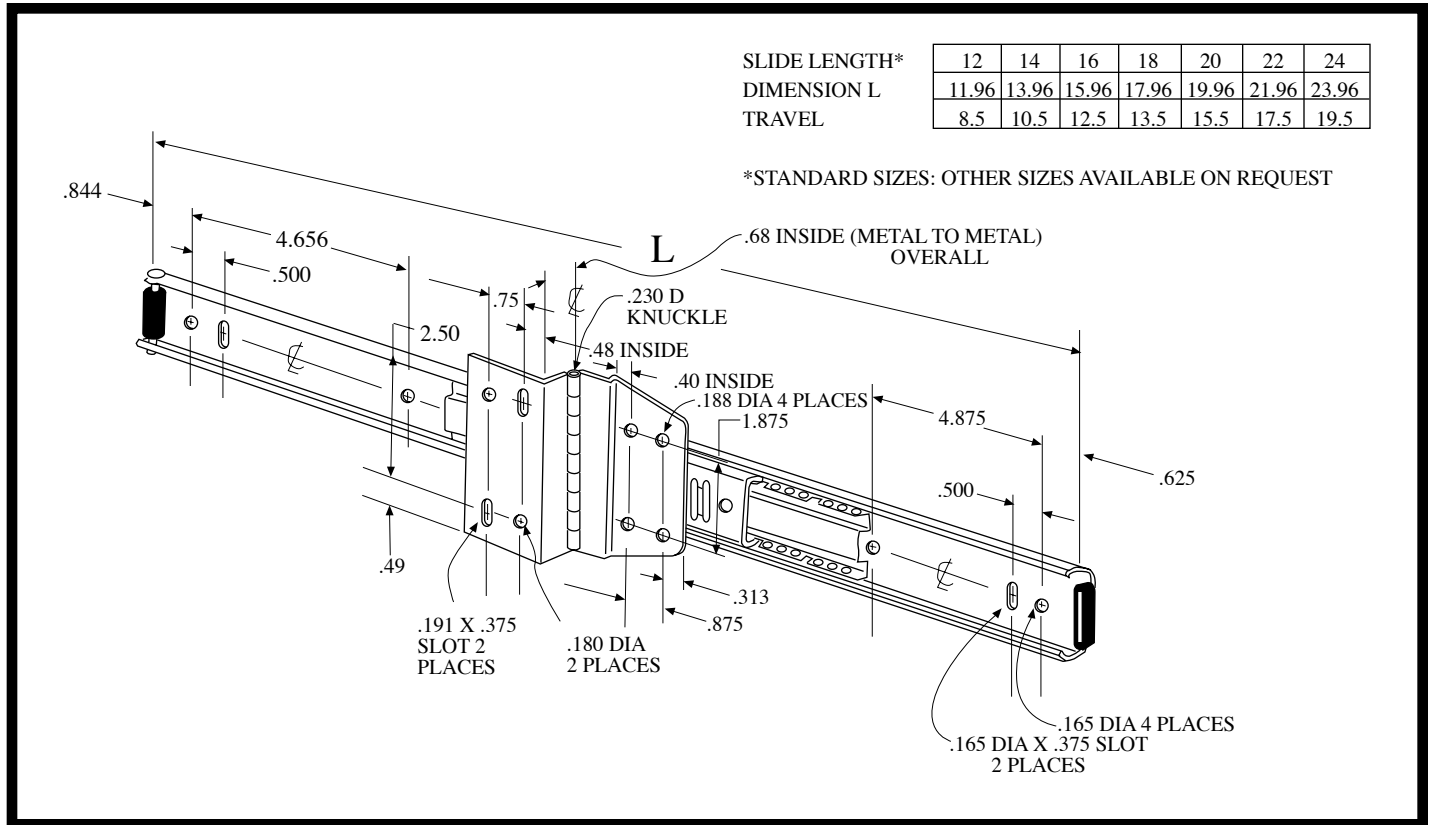


KV 8040 Major Dimensions and Mounting Hole Locations



Specifications

- 3/8" slide profile, mounts into routed channel in rear side of door.
- Unhanded design.
- Triple precision steel ball bearing movement.
- Metal Ball Bearing Retainer for durability and quiet operation.
- Bright electro-zinc plated with lacquered finish for better corrosion resistance. Black finish available.
- Rugged 3/4" Offset Hinge with permanently staked pin. 1" Offset Hinge available. Other hinge configurations available.
- Long life, one piece roller to protect cabinet top.
- Maximum door weight is 20 pounds per pair.
- Maximum door size is 48" wide and 24" high.

PATENTS PENDING

Installation Instructions for: KV 8040 Hinged Door Slide

For Best Results, Read Instructions First!

These instructions show how to install the KV 8040 Hinged Door Slide. Please note that improper installation may void the Knap & Vogt Lifetime Limited Warranty. To install the slides correctly, follow these instructions, use only KV hardware, and make no modifications. If you have questions or need additional information, please contact the factory.

Application

- Recommended for use on "Up and Over" type hinged doors.
- Recommended for 3/4 inch thick door and 3/4 inch thick cabinet.
- Maximum weight of door not exceeding 20 pounds per pair.
- Maximum width not exceeding 48 inches and maximum height not exceeding 24 inches.
- Slide profile requires a maximum 11/32 inch deep by 1-13/32 inch wide minimum channel be routed into rear side of door.
- Use #7 Pan Head screws along with an appropriate adhesive to securely bond slide to door. Alternative brackets available for mounting without use of adhesive.
- On excessively large or heavy doors, one or more additional slides should be used.

Installation

Step 1 Door Preparation (Wood)

Route grooves in the rear side of the door as shown in Figure 1. These grooves must be parallel. It is recommended that the slides be placed as far apart as practical for maximum operational stability and performance characteristics.

Step 1 Door Preparation (Metal)

Metal door construction should use hat sections spot welded to the rear side of the door skin as shown in Figure 2.

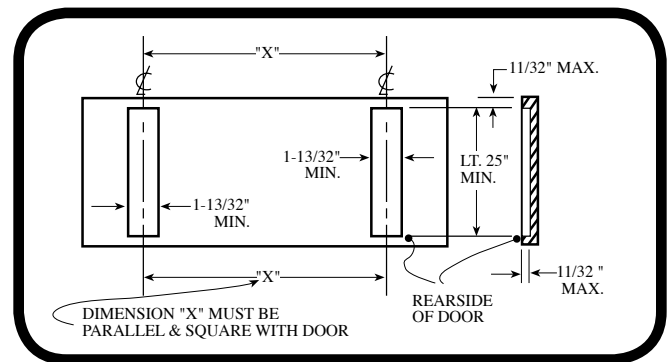


Figure 1.

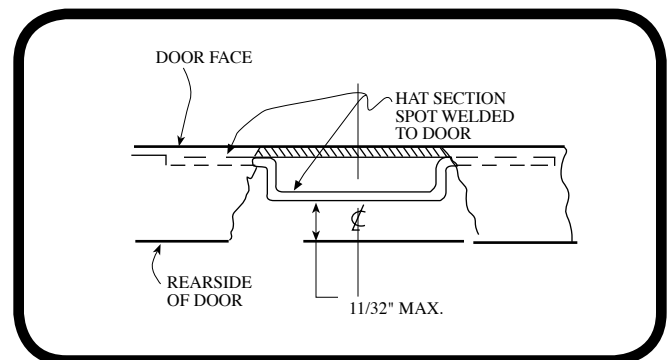


Figure 2.

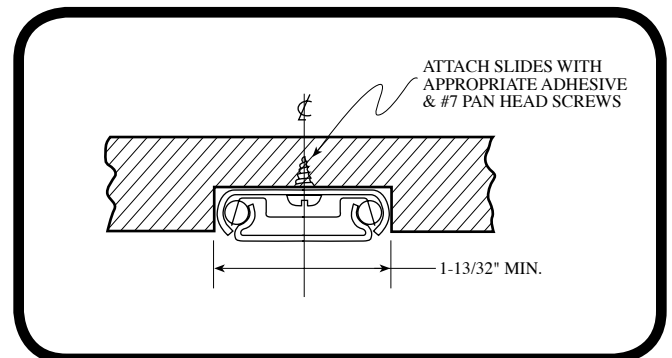


Figure 3.

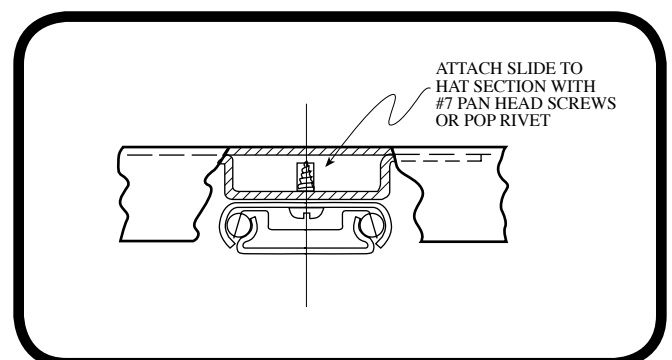


Figure 4.

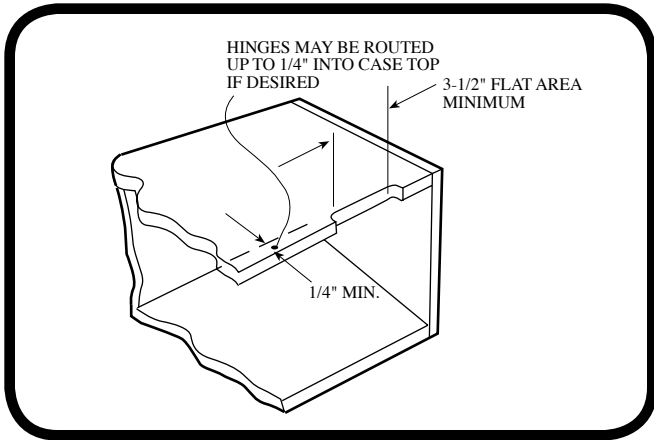


Figure 5.

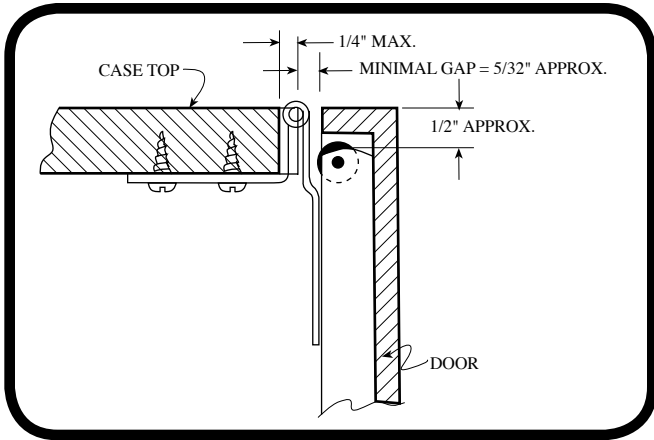


Figure 6.

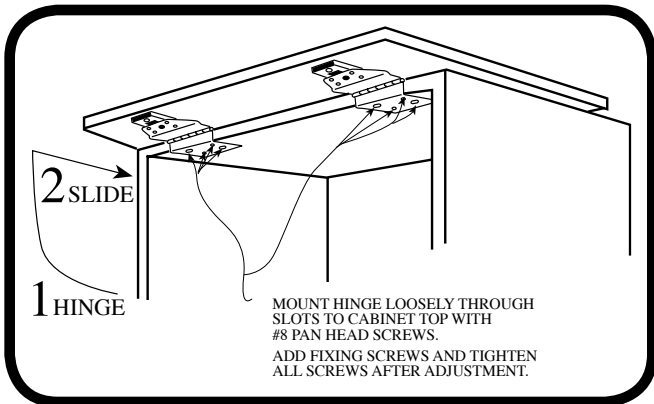


Figure 7.

Step 3 Install Slides to Door

Mount the slides in the grooves or on the hat section as shown in either figure 3 or figure 4. An adhesive may be necessary between the wood door and the slide, to provide additional fastening and minimize the possibility of the screws stripping out of the wood.

Step 4 Minimizing door Gap (Optional)

Hinges may be routed into the cabinet top up to 1/4 inch deep as shown in figures 5 & 6, if desired. This will minimize the gap between the top edge of the door and the cabinet top.

Step 5 Install Slides to Cabinet

Mount the hinge to the cabinet top as shown in figure 7. Install screws in the slotted hole only prior to adjustments.

Step 6 Check and Adjust Installation

Check operation of door and make adjustments as needed. Move the door side-to-side to obtain the desired side gaps. then install additional screws in the round hole. Install screws in all holes. If adhesives are used, allow appropriate drying time before operation.

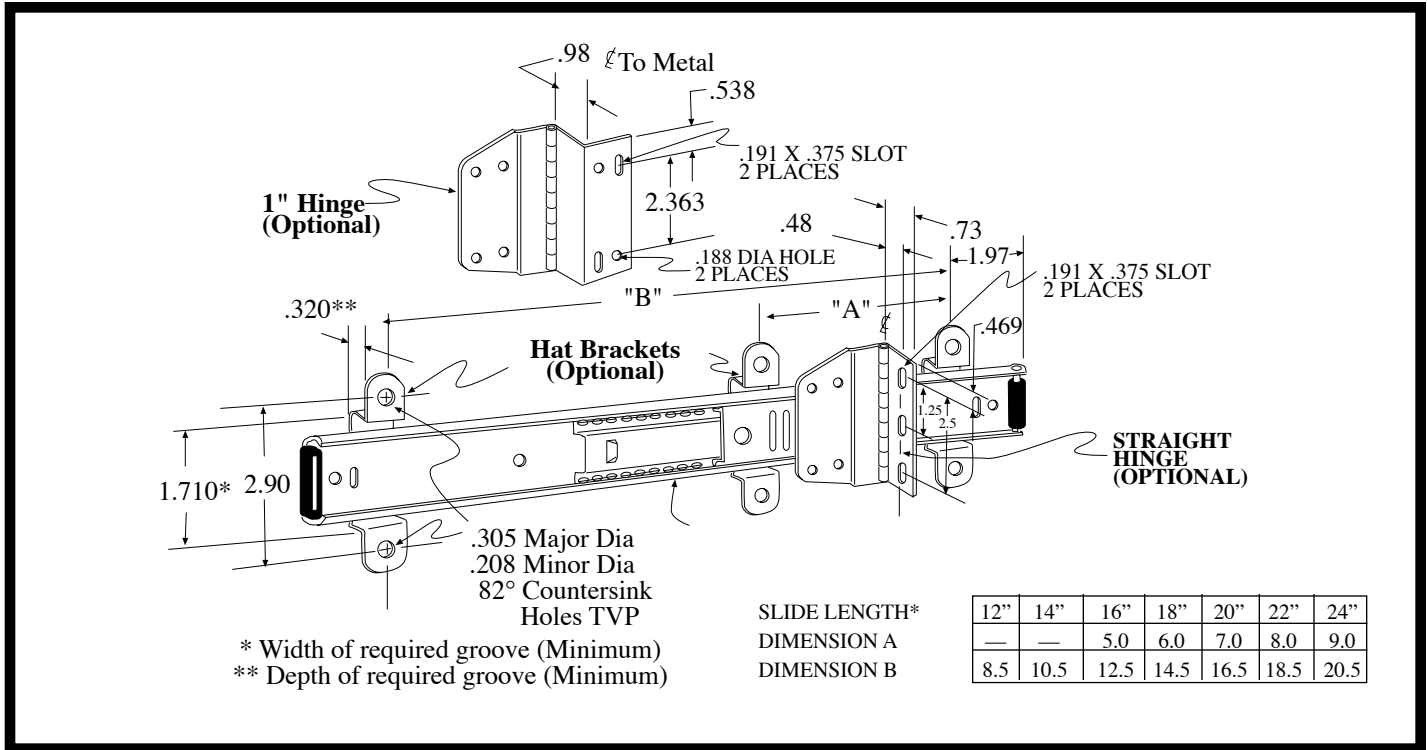
Chart of other models available

KV offers this slide in other configurations. See dimensions on back page. Consult factory regarding special order requirements.

Model	3/4" Hinge	1" Hinge	Straight Hinge	Hat Bracket
8040	X			
8041*	X			X
8042*		X		
8043*		X		X
8044*			X	
8045*			X	X

* Denotes Special Order

Major Dimensions and Mounting Hole Locations on other models.



Limited Lifetime Warranty

Knapé & Vogt Manufacturing Company guarantees its drawer slides and builder's hardware products against failure or defects for so long as the purchaser or end user owns them. This warranty is void if any damage to the product is due to misuse, abuse, neglect, accident, improper installation or any uses contrary to the instructions accompanying the product. This warranty covers the cost of the defective part and not the cost of removal, installation or other incidental charges. The foregoing are the purchaser's exclusive remedies. Knapé & Vogt Manufacturing Company assumes no liability for special or consequential damages.

Replacement product may be obtained by returning the product, transportation charges prepaid, together with a receipt of purchase or other documents acknowledging the sale of the product, addressed to the Knapé & Vogt Manufacturing Company, Attention: Customer Services Department.

The warranty set forth above is in lieu of any other warranties, express or implied, including warranties or merchantability and fitness for use.



2700 Oak Industrial Drive NE

Grand Rapids, Michigan 49505 USA

Phone: 616-459-3311

Fax: 616-459-3290

Telex: 22-6317

Information subject to change without notice.

© 1993, Knapé & Vogt