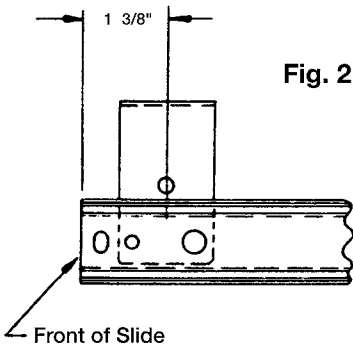
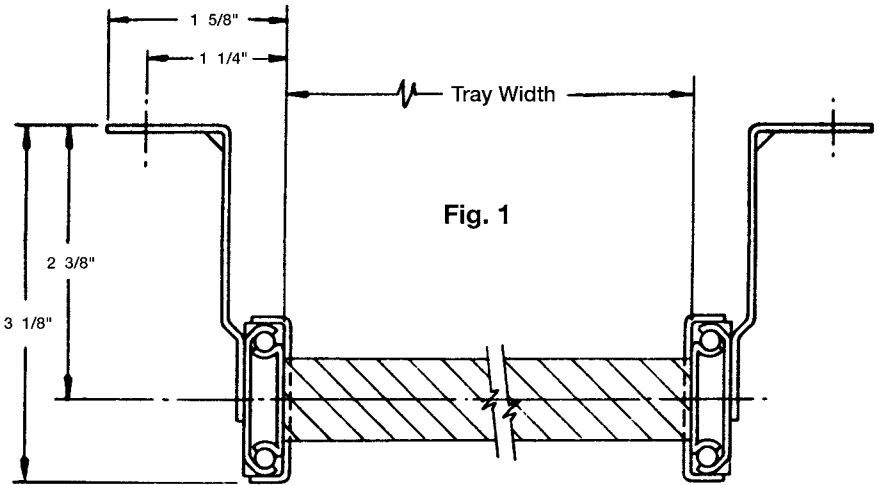


# No. 8100 Drawer Slide Installation Instructions



## Step 1.

Mount tray surface to slides first. Upon completion mount subassembly to mounting surface using Fig.1 and Fig.2 for key installation dimensions

### NOTE:

Surface to be mounted must be a minimum of 1-1/4" shorter, but not more than 2" shorter than the desired slide length.